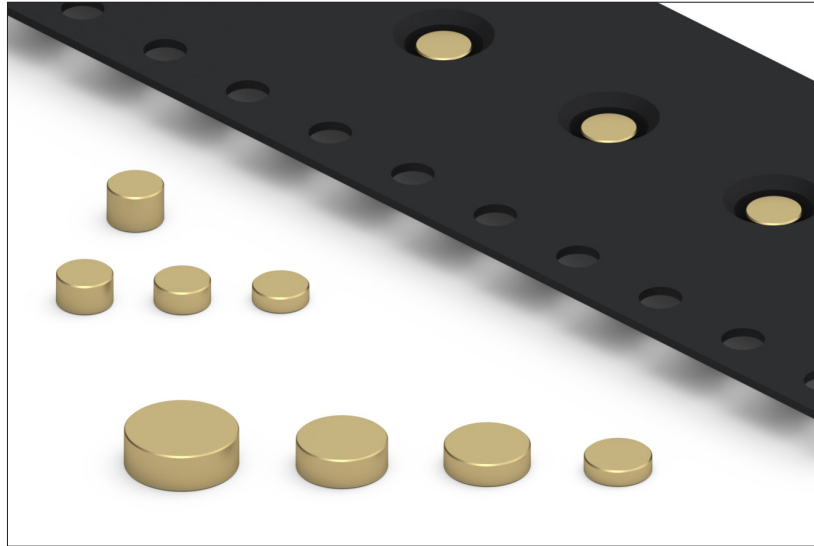


MAXIMUM SOLUTIONS

Mill-Max Expands Low-Profile Target Discs



Mill-Max expands its family of spring-loaded pin mating products, with four new series offering additional diameter and height options. These low profile SMT disc shaped terminals are perfect for applications where vertical space is at a premium.

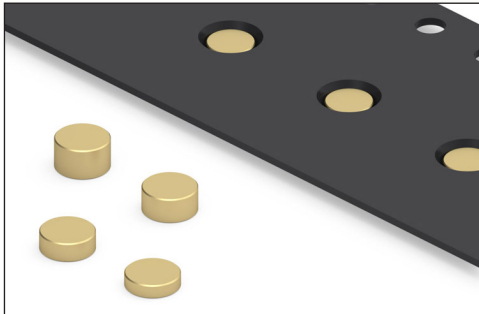
The expanded series include the 1593-X, 1618-X, 1625-X, 1656-X SMT discs, with diameters of .093" (1,98 mm), .118" (3 mm), .125" (3.18 mm) and .156" (3.964 mm) respectively. Each series is precision machined from brass and comes standard with a 10 u" hard gold finish with a nickel under-plate and is available in four heights from .025" (.64 mm) to .055" (1,4 mm) in .010" (.254 mm) increments. Custom sizes are quickly and easily achievable via Mill-Max's high-speed precision-machining processes. Other plating options, such as thicker gold or other materials, are also available.

With flat surfaces on both sides, target discs are ideal for surface mount soldering and as the conductive mating surface for spring-loaded pins and connectors as well as test probes. The discs are typically placed on solder pasted PCB pads and then subjected to reflow soldering. Once soldered, the terminals are ready to be used as reliable, durable contact points.

For more information, please visit www.mill-max.com/PR698.

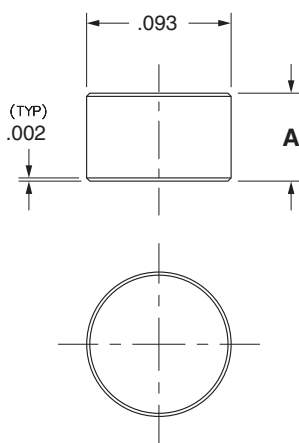
SPRING-LOADED CONNECTORS

SERIES 1593 • LOW PROFILE TARGET DISCS • SURFACE MOUNT

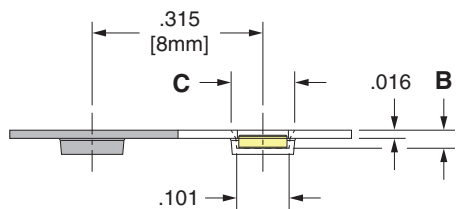


- The 1593-X-57-15-00-00-03-0 Surface mount disc is .093" in diameter and available in four heights from .025" to .055" +/- .002" tall. Employing our precision machining expertise we are able to achieve flat surfaces on both sides of the disc with virtually no burrs. The flat surfaces are ideal for surface mount soldering and as the conductive mating surface for spring loaded pins and connectors as well as test probes. The discs are typically placed on solder pasted PCB pads and then subjected to reflow soldering. Once soldered the terminals are ready to be used as reliable, durable contact points.
- The 1593-X's are packaged on tape & reel - 16 mm wide x 8 mm pitch, making them simple to integrate into existing pick & place equipment and assembly processes. The tape packaging is per EIA-481-D
- Custom sizes are quickly and easily achievable via Mill-Max's high speed precision machining processes. You can contact our technical support team to discuss your particular application and requirements.

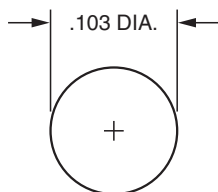
Series 1593 (Target Disc)



Series 1593 (Tape Pocket Details)



Series 1593 (Suggested footprint layout)



ORDERING INFORMATION

Series 1593 (Tape & Reel Packaged)

1593-X-57-15-00-00-03-0

Specify contact style (0-3)

Contact Style	Target Disc Height (A)	Tape Pocket Depth (B)	Tape Pocket Opening (C)	Quantity per Reel
0	.025	.035	.123	7,200
1	.035	.045	.124	6,000
2	.045	.055	.124	5,125
3	.055	.065	.124	4,000

XX=Plating Code
See Below

For
Electrical, Mechanical
& Environmental Data,
See page 264

SPECIFY PLATING CODE XX=

15 ◆

Pin Plating



10 μ" Au

SPECIFICATIONS:

Pin Material: Brass Alloy 385 or 360, 1/2 Hard

Dimensions: Inches

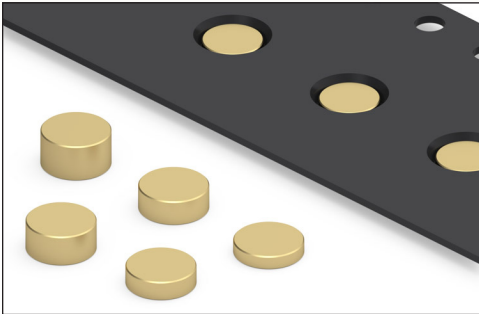
Tolerances On: Lengths: ± .002
Diameters: ± .001
Angles: ± 2°

RoHS-2
2011/65/EU



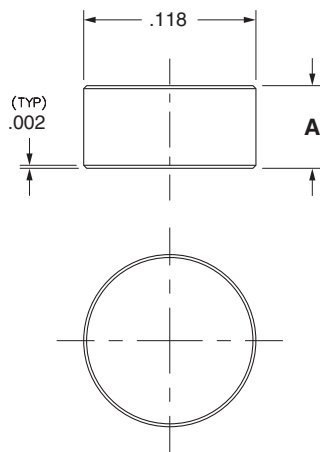
SPRING-LOADED CONNECTORS

SERIES 1618 • LOW PROFILE TARGET DISCS • SURFACE MOUNT

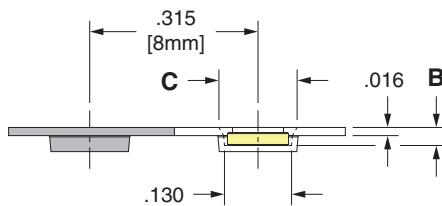


- The 1618-X-57-15-00-00-03-0 Surface mount disc is .118" in diameter and available in five heights from .025" to .065" +/- .002" tall. Employing our precision machining expertise we are able to achieve flat surfaces on both sides of the disc with virtually no burrs. The flat surfaces are ideal for surface mount soldering and as the conductive mating surface for spring loaded pins and connectors as well as test probes. The discs are typically placed on solder pasted PCB pads and then subjected to reflow soldering. Once soldered the terminals are ready to be used as reliable, durable contact points.
- The 1618-X's are packaged on tape & reel - 16 mm wide x 8 mm pitch, making them simple to integrate into existing pick & place equipment and assembly processes. The tape packaging is per EIA-481-D
- Custom sizes are quickly and easily achievable via Mill-Max's high speed precision machining processes. You can contact our technical support team to discuss your particular application and requirements.

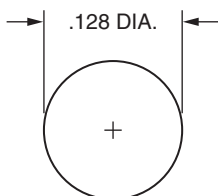
Series 1618 (Target Disc)



Series 1618 (Tape Pocket Details)



Series 1618 (Suggested footprint layout)



ORDERING INFORMATION

Series 1618 (Tape & Reel Packaged)

1618-X-57-15-00-00-03-0

Specify contact style (0-4)

Contact Style	Target Disc Height (A)	Tape Pocket Depth (B)	Tape Pocket Opening (C)	Quantity per Reel
0	.025	.035	.151	7,200
1	.035	.045	.151	6,000
2	.045	.055	.151	5,125
3	.055	.065	.151	4,000
4	.065	.075	.152	3,850

XX=Plating Code
See Below

For
Electrical, Mechanical
& Environmental Data,
See page 264

SPECIFY PLATING CODE XX=	15			
Pin Plating	 10 μ" Au			

SPECIFICATIONS:

Pin Material: Brass Alloy 385 or 360, 1/2 Hard

Dimensions: Inches

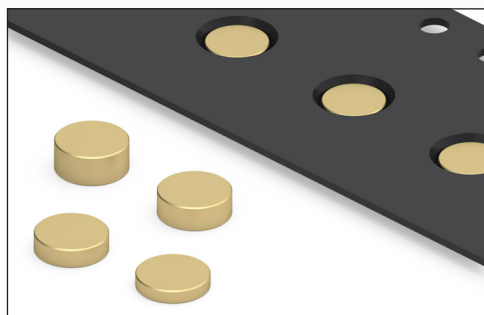
Tolerances On: Lengths: ± .002
Diameters: ± .001
Angles: ± 2°

RoHS-2
2011/65/EU



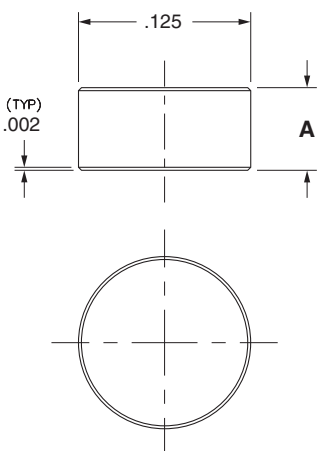
SPRING-LOADED CONNECTORS

SERIES 1625 • LOW PROFILE TARGET DISCS • SURFACE MOUNT

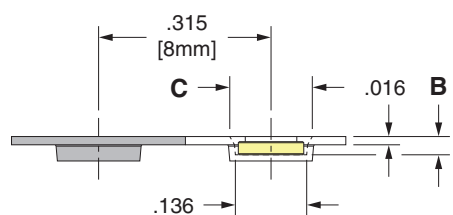


- The 1625-X-57-15-00-00-03-0 Surface mount disc is .125" in diameter and available in four heights from .025" to .055" +/- .002" tall. Employing our precision machining expertise we are able to achieve flat surfaces on both sides of the disc with virtually no burrs. The flat surfaces are ideal for surface mount soldering and as the conductive mating surface for spring loaded pins and connectors as well as test probes. The discs are typically placed on solder pasted PCB pads and then subjected to reflow soldering. Once soldered the terminals are ready to be used as reliable, durable contact points.
- The 1625-X's are packaged on tape & reel - 16 mm wide x 8 mm pitch, making them simple to integrate into existing pick & place equipment and assembly processes. The tape packaging is per EIA-481-D
- Custom sizes are quickly and easily achievable via Mill-Max's high speed precision machining processes. You can contact our technical support team to discuss your particular application and requirements.

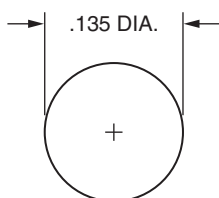
Series 1625 (Target Disc)



Series 1625 (Tape Pocket Details)



Series 1625 (Suggested footprint layout)



ORDERING INFORMATION

Series 1625 (Tape & Reel Packaged)

1625-X-57-15-00-00-03-0

Specify contact style (0-3)

Contact Style	Target Disc Height (A)	Tape Pocket Depth (B)	Tape Pocket Opening (C)	Quantity per Reel
0	.025	.035	.158	7,200
1	.035	.045	.158	6,000
2	.045	.055	.158	5,125
3	.055	.065	.158	4,000

XX=Plating Code
See Below

For
Electrical, Mechanical
& Environmental Data,
See page 264

SPECIFY PLATING CODE XX=

15 ◆

Pin Plating



10 μ" Au

SPECIFICATIONS:

Pin Material: Brass Alloy 385 or 360, 1/2 Hard

Dimensions: Inches

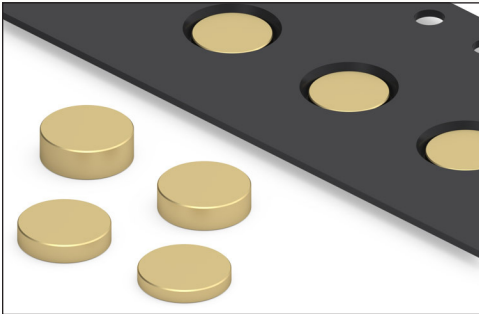
Tolerances On: Lengths: ± .002
Diameters: ± .001
Angles: ± 2°

RoHS-2
2011/65/EU



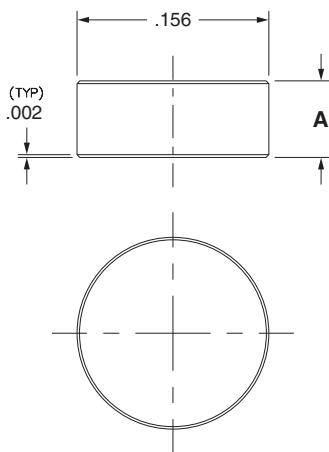
SPRING-LOADED CONNECTORS

SERIES 1656 • LOW PROFILE TARGET DISCS • SURFACE MOUNT

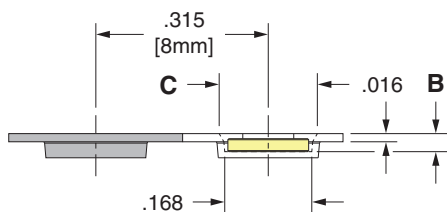


- The 1656-X-57-15-00-00-03-0 Surface mount disc is .156" in diameter and available in four heights from .025" to .055" +/- .002" tall. Employing our precision machining expertise we are able to achieve flat surfaces on both sides of the disc with virtually no burrs. The flat surfaces are ideal for surface mount soldering and as the conductive mating surface for spring loaded pins and connectors as well as test probes. The discs are typically placed on solder pasted PCB pads and then subjected to reflow soldering. Once soldered the terminals are ready to be used as reliable, durable contact points.
- The 1656-X's are packaged on tape & reel - 16 mm wide x 8 mm pitch, making them simple to integrate into existing pick & place equipment and assembly processes. The tape packaging is per EIA-481-D
- Custom sizes are quickly and easily achievable via Mill-Max's high speed precision machining processes. You can contact our technical support team to discuss your particular application and requirements.

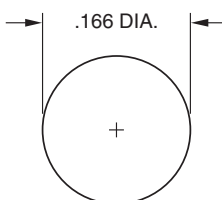
Series 1656 (Target Disc)



Series 1656 (Tape Pocket Details)



Series 1656 (Suggested footprint layout)



ORDERING INFORMATION

Series 1656 (Tape & Reel Packaged)

1656-X-57-15-00-00-03-0

Specify contact style (0-3)

Contact Style	Target Disc Height (A)	Tape Pocket Depth (B)	Tape Pocket Opening (C)	Quantity per Reel
0	.025	.035	.190	7,200
1	.035	.045	.190	6,000
2	.045	.055	.190	5,125
3	.055	.065	.190	4,000

XX=Plating Code
See Below

For
Electrical, Mechanical
& Environmental Data,
See page 264

SPECIFY PLATING CODE XX=	15			
Pin Plating	10 μ" Au			

SPECIFICATIONS:

Pin Material: Brass Alloy 385 or 360, 1/2 Hard

Dimensions: Inches

Tolerances On: Lengths: ± .002
Diameters: ± .001
Angles: ± 2°

RoHS-2
2011/65/EU

