

Series - 8879

MINIATURE POSITIVE ACTION SWITCHES 4-Pole Miniature Positive Action Switch Series

FEATURES SPECIFICATIONS CURRENT RATINGS

- Made to MIL-DTL-8834 Requirements
- Sealed bushing
- Current rating versatility
- 4 pole circuitry (Maintained & Momentary variations)
- Non-teasible mechanism for all but center "on" position
- Dry circuit (logic loads loads) to power switching levels
- Wiping action contacts
- Positive make and break action
- Bullet and Mushroom Lever lock Actuator styles
- 12 Lever Locking configurations
- 15/32" bushing Dia.
- Solder-lug terminals ± Ø

- Bushing seal per MIL-DTL-8834
- Meets 0.5" Head of Water
- Temperature Range: -22°F to +149°F
-30°C to +65°C
- Electrical Life: 20,000 Operations at rated load
- Mechanical Life: 40,000 Operations

No. of Poles	Catalog Number	Type of Operation	28VDC (Amperes per pole)		115VAC 60Hz and 400Hz (Amperes per pole)			
			Resistive Load 28VDC	Inductive Load 28VDC	Resistive Load		Inductive Load	
					60Hz	400Hz	60Hz	400Hz
4	8879	Maintained and Momentary	5	1	2	3	1	2

Minimum Rating: 25 microamperes at 5 millivolts or less.

SELECTION TABLE

CIRCUIT WITH LEVER IN . . . FOUR POLE



Mushroom Style Cap

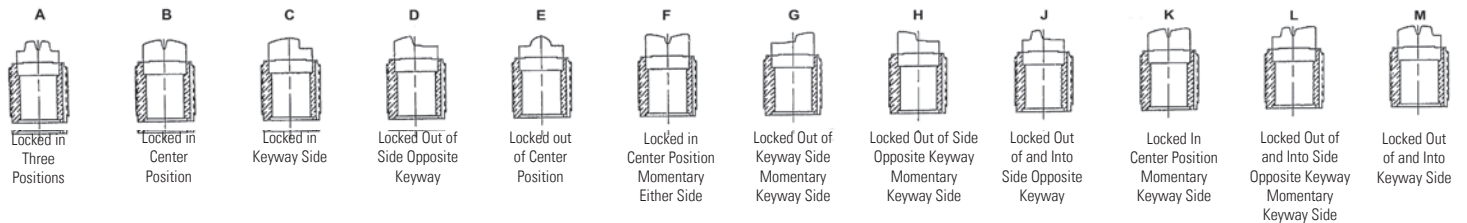
Up Position	Center Position	Down Position (Keyway)	Mushroom Style Cap		Bullet Style Cap	
			Catalog® Number	Locking Designation	Catalog® Number	Locking Designation
ON	OFF	ON	8879K74	A	8879K4	A
ON	OFF	ON	K75	B	K5	B
ON	NONE	ON	K77	C	K7	C
ON	NONE	ON	K78	E	K8	E
ON	OFF	NONE	K79	J	K9	J
ON	OFF	ON	K710	D	K10	D
ON	OFF	ON *	K712	L	K12	L
ON	NONE	OFF	K713	C	K13	C
ON	NONE	OFF	K714	E	K14	E
ON	OFF	ON *	K716	G	K16	G
ON	OFF	NONE	K719	B	K19	B
ON	OFF	ON *	K720	K	K20	K
ON	ON	ON	K721 ⊕	A	K21 ⊕	A
ON *	ON	ON *	K722 ⊕	F	K22 ⊕	F
ON	ON	ON *	K723 ⊕	K	K23 ⊕	K
NONE	ON	ON *	K724 ⊕	K	K24 ⊕	K
ON *	OFF	ON *	K727	F	K27	F
NONE	OFF	ON *	K728	K	K28	K
ON *	OFF	ON *	K729	H	K29	H
ON	ON	ON	K730 ⊕	B	K30 ⊕	B
ON	ON	ON	K731 ⊕	C	K31 ⊕	C
ON	ON	ON	K732 ⊕	D	K32 ⊕	D
ON *	ON	ON *	K734 ⊕	H	K34 ⊕	H
ON	ON	ON *	K735 ⊕	G	K35 ⊕	G
ON	ON	ON *	K736 ⊕	L	K36 ⊕	L

* Momentary contact.

⊕ Dielectric per MIL-DTL-8834 except limited to 1250 Volts. Delayed action of the switch toggle lever may cause circuit to close or open before snap action mechanism trips.

⊙ Caution should be exercised during soldering and flux removal. See page A56 for details.

Locking Designations



Figures A thru M do not represent details of construction. They schematically illustrate locking function.

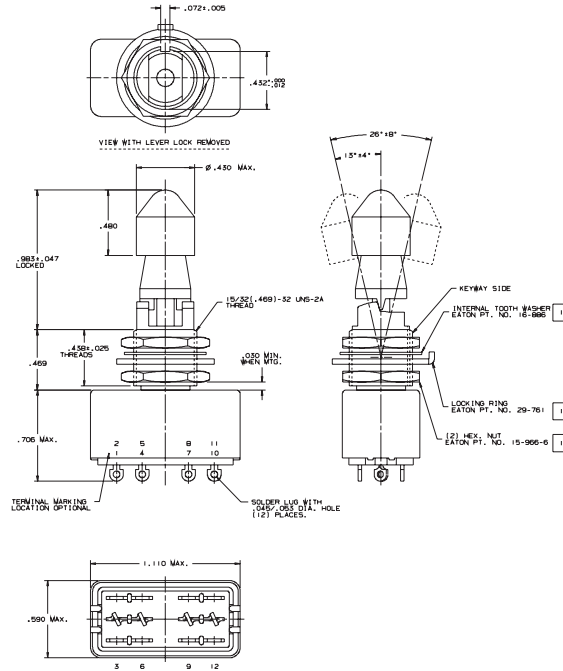
KEYWAY SIDE →

MINIATURE POSITIVE ACTION SWITCHES

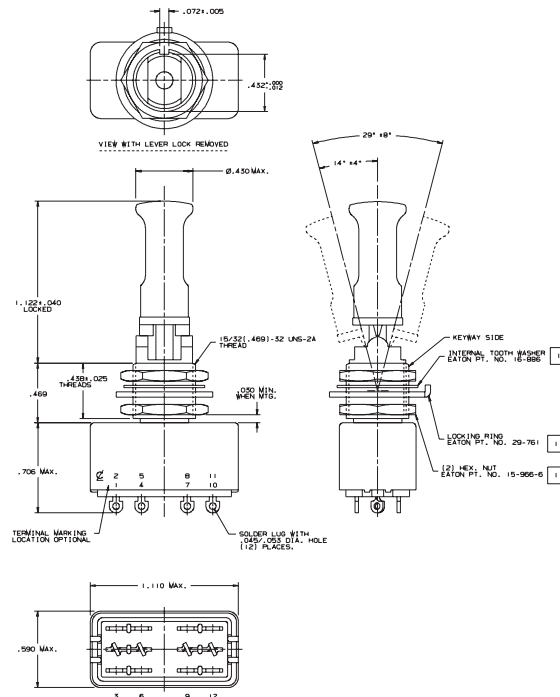
Series - 8879

4-Pole Miniature Positive Switch Series

MOUNTING DIMENSIONS - FOUR POLE / 8879



MOUNTING DIMENSIONS - FOUR POLE / 8879



STANDARD
 0.00 = inches
 [0,0] = mm

Terminal Identification

Mounting dimensions for reference only.

Non-functional terminals not supplied.