

INDUSTRIAL - ENVIRONMENTALLY SEALED SWITCHES

Series - 8510, 8511, 8512

Environmentally Sealed Toggle Switches

| FEATURES | | | CURRENT RATINGS | | | | | | | |
|---|--|--------------|-----------------|-------------------|-----------|----------------|----------------|---------------------|----------------|----------------|
| <ul style="list-style-type: none"> Completely sealed against dust, moisture, and other contaminants 1, 2 and 4 pole circuitry One hole mounting for easy installation Multi-circuits offered 2 & 3 position with maintained and momentary action Molded-in terminal inserts Molded-in terminal numbers | <ul style="list-style-type: none"> See 8520-8528 for UL recognized and CSA certified version on page 5 Water tight seal per MIL-STD-108E and designed to meet IP68 Thermoset molding materials meet flame retardant requirements Temperature Range: -50°F to +150°F (-46°C to +66°C) Life: 20,000 operations at rated load Bushing: 15/32" - 32 thread | No. of Poles | Catalog Number | Type of Operation | 28VDC | | | 115 VAC 60 or 400Hz | | |
| | | | | | Lamp Load | Resistive Load | Inductive Load | Lamp Load | Resistive Load | Inductive Load |
| | | 1 | 8510 | Maintained | 5 | 20 | 15 | 3 | 15 | 10 |
| | | | | Momentary | 4 | 15 | 10 | 2 | 15 | 7 |
| | 2 | 8511 | Maintained | 7 | 20 | 15 | 4 | 15 | 15 | |
| | | Momentary | 5 | 18 | 10 | 2 | 11 | 8 | | |
| | 4 | 8512 | Maintained | 5 | 20 | 12 | 4 | 15 | 15 | |
| | | Momentary | 4 | 18 | 10 | 2 | 11 | 8 | | |

SELECTION TABLE

FLUSH TERMINAL SCREWS



8510



8511



8512

| CIRCUIT WITH LEVER IN . . . | | | ONE POLE | TWO POLE | FOUR POLE |
|-----------------------------|-----------------|------------------------|----------------|----------------|----------------|
| Up Position | Center Position | Down Position (Keyway) | Catalog Number | Catalog Number | Catalog Number |
| | | | 8510K1 | 8511K1 | 8512K1 |
| ON | OFF | ON | K9 | K9 | K9 |
| ON | NONE | OFF | K4 | K4 | K4 |
| ON | NONE | ON | K6 | K6 | K6 |
| ON | OFF | NONE | 8510K5 | 8511K5 | 8512K5 |
| * ON | NONE | ON* | K2 | K2 | K2 |
| NONE | OFF | ON* | K7 | K7 | K7 |
| ON | OFF | OFF* | K10 | K10 | K10 |
| OFF | NONE | ON* | K11 | K11 | K11 |
| ON | OFF | ON* | 8510K3 | 8511K3 | 8512K3 |
| * ON | ON | NONE | K12 | K12 | K12 |
| ON | ON | NONE | K13 | K13 | K13 |
| ON | ON | ON | — | 8511K14 | 8512K15 |
| ON | ON | ON* | — | K15 | K16 |
| * ON | ON | ON* | — | K16 | K17 |
| ON | ON | ON | — | 8511K17 | — |
| ON | ON | ON* | — | K18 | — |
| * ON | ON | ON* | — | K19 | — |
| ON | ON/OFF | ON | — | — | 8512K20 |

*** Momentary contact.**

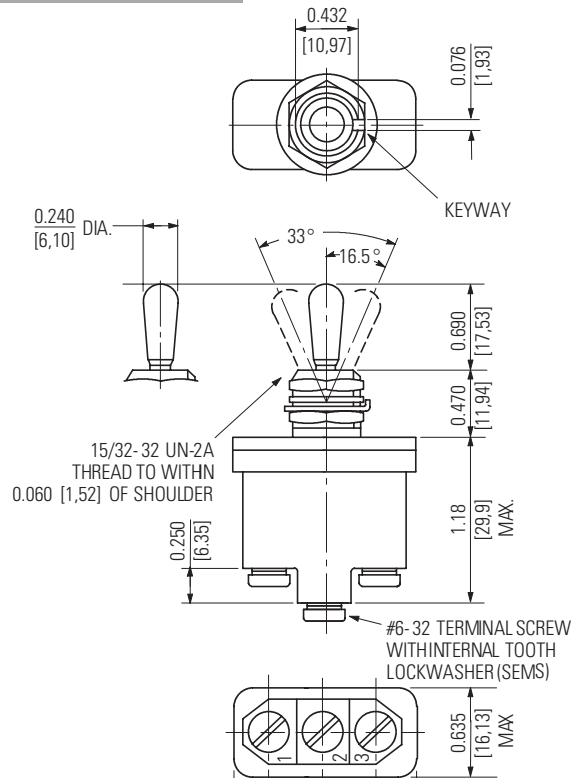
See Page A71 for circuit diagrams.

INDUSTRIAL - ENVIRONMENTALLY SEALED SWITCHES

Environmentally Sealed Toggle Switches

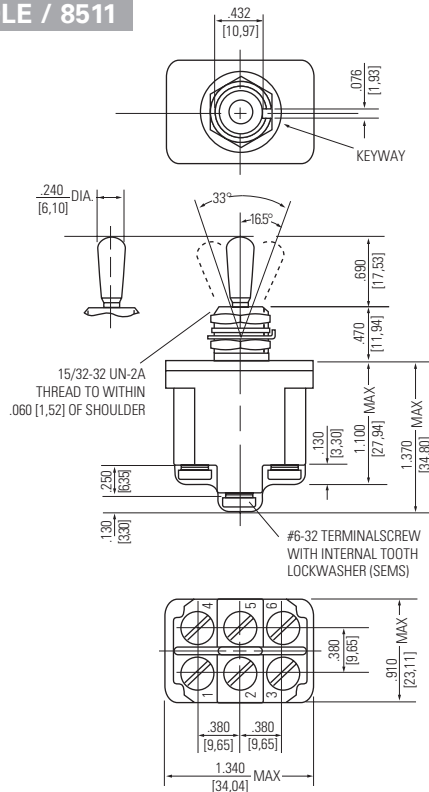
Series - 8510, 8511, 8512

MOUNTING DIMENSIONS - ONE POLE / 8510



Terminal Identification

MOUNTING DIMENSIONS - TWO POLE / 8511



Terminal Identification

STANDARD

0.00 = inches

[0,0] = mm

Mounting dimensions for reference only.

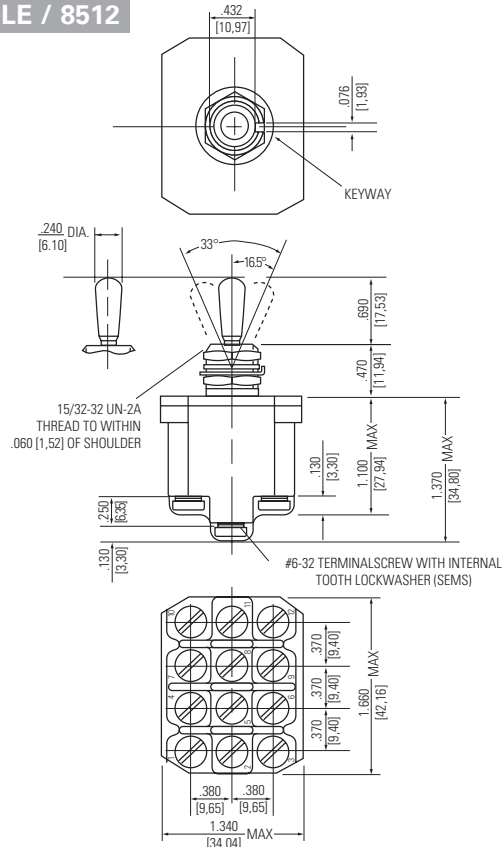
Non-functional terminals not supplied.

INDUSTRIAL - ENVIRONMENTALLY SEALED SWITCHES

Series - 8510, 8511, 8512

Environmentally Sealed Toggle Switches

MOUNTING DIMENSIONS - FOUR POLE / 8512



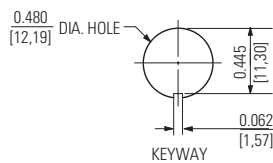
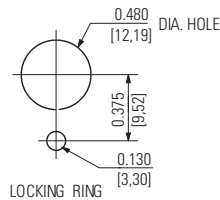
Terminal Identification

OPTIONS/ACCESSORIES

- Special mounting hardware
- Mounting hardware furnished assembled
- Terminal screws furnished assembled
- Special toggle levers
- Special circuits
- Panel seal, Part Number 32-341
- Spade terminal adapters available

PANEL CUTOUT DIMENSIONS

15/32 DIA. BUSHING



STANDARD

0.00 = inches

[0,0] = mm

Mounting dimensions for reference only.

Non-functional terminals not supplied.