

# HIGH CAPACITY SWITCHES

## Series - 8780-82, 8790 & 8792

## High Capacity Flush Mounted Switches

FEATURES		SPECIFICATIONS		CURRENT RATINGS						
<ul style="list-style-type: none"> <li>• 1 and 3 pole circuitry</li> <li>• Flush mounted (5 holes required)</li> <li>• High capacity ratings</li> <li>• Terminal stud termination</li> </ul>	<ul style="list-style-type: none"> <li>• Designed and built to AN3230 and E1663 specifications</li> <li>• Current ratings up to 175 Amp on AN3230 type and 80 Amp on E1663 type</li> <li>• Temperature Range: -67°F to +160°F (-55°C to +71°C)</li> <li>• Life: 10,000 operations at rated load 20,000 operations mechanical life</li> <li>• Power studs have .250" [6,35] -20 threads</li> </ul>	No. of Poles	Catalog Number	Type of Operation	28VDC			115VAC 60 or 400Hz		
					Lamp Load	Resistive Load	Inductive Load	Lamp Load	Resistive Load	Inductive Load
		1	8780K11 8781K11 8782K11	Maintained	35	175	45	11	55	45
		3	8790K4 8792K3	Maintained	12	80	30	75	30	20

### SELECTION TABLE

#### CIRCUIT WITH LEVER IN . . .



8780



8790

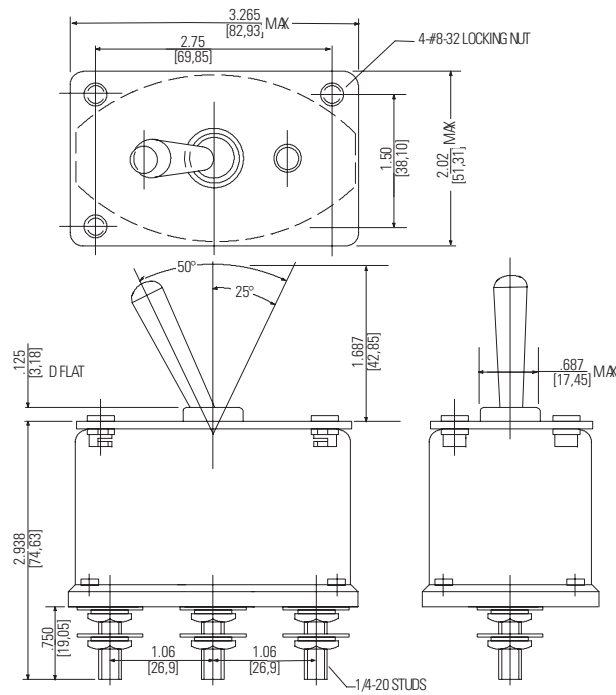
Up Position	Center Position	Down Position (Keyway)	① MS or Government Drawing Number	① AN Part Number	① Catalog Number
<b>One Pole - High Capacity</b>					
ON	OFF	ON	—	AN3230-1	8780K11
ON	NONE	OFF	—	-2	8781K11
ON	NONE	ON	—	-3	8782K11
<b>Three Pole - High Capacity</b>					
ON	OFF	ON	E1663-1	—	8790K4
ON	NONE	ON	-3	—	8792K3

① Reference only cancelled government numbers

Series - 8780, 8790

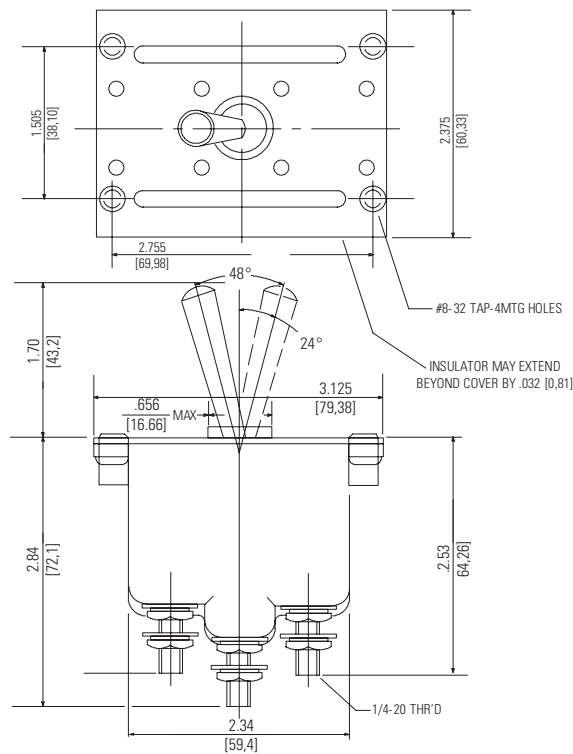
HIGH CAPACITY SWITCHES  
High Capacity Flush Mounted Switches

**MOUNTING DIMENSIONS - ONE POLE / 8780, 8781, 8782**



**Terminal Identification**

**MOUNTING DIMENSIONS - THREE POLE / 8790, 8792**



**Terminal Identification**

**STANDARD**  
0.00 = inches  
[0,0] = mm

Mounting dimensions for reference only.

Non-functional terminals not supplied.