

PUSHBUTTON SWITCHES

Series - C20050

Momentary Snap Action Pushbutton Switches

FEATURES		SPECIFICATIONS		CURRENT RATINGS													
<ul style="list-style-type: none"> Snap action pushbutton Compact size Black or red buttons available Momentary 	<ul style="list-style-type: none"> Meets MIL-PRF-8805/20 Operating force: 3.5 ± 1 lb (2.48kg ± .68kg) Electrical life: 40,000 operations minimum at rated load Mechanical life: 50,000 operations minimum Terminal strength: 5 lbs (2.25kg) Single pole, two circuit Weight approx.: .02 lb (9g) 	<table border="1"> <thead> <tr> <th>Part Number</th> <th>Number of Poles</th> <th>Type of Operation</th> <th>120VAC^①</th> <th>120VDC</th> <th>230VDC^②</th> </tr> </thead> <tbody> <tr> <td>C20050</td> <td>1</td> <td>Momentary</td> <td>15</td> <td>1</td> <td>0.05</td> </tr> </tbody> </table>	Part Number	Number of Poles	Type of Operation	120VAC ^①	120VDC	230VDC ^②	C20050	1	Momentary	15	1	0.05			
Part Number	Number of Poles	Type of Operation	120VAC ^①	120VDC	230VDC ^②												
C20050	1	Momentary	15	1	0.05												
			① p.f.=50														
				② 5,000 operations													

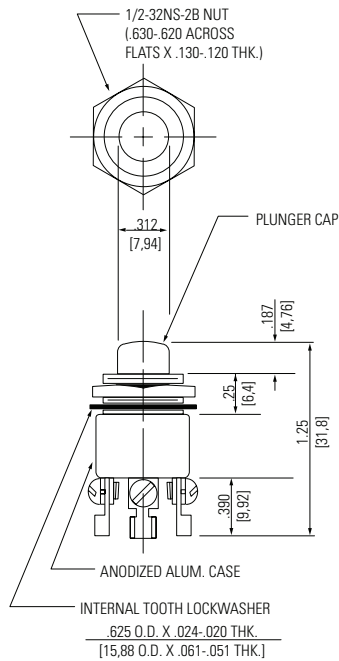
SELECTION TABLE



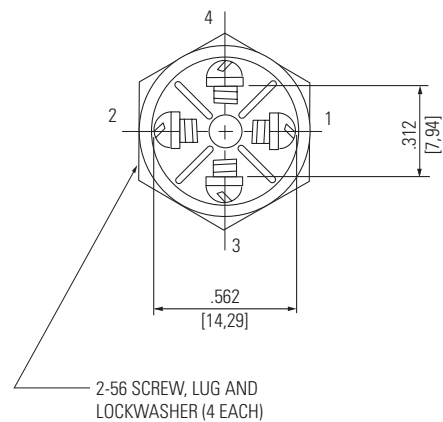
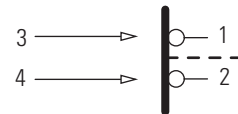
C20050

Circuit	Operation	Case Color	Button Color	Catalog Number	Military Part Number
1 P-2 Ckt.	Momentary	Clear	Black	C20050	MS16712-1
1 P-2 Ckt.	Momentary	Clear	Red	C20050R	MS16712-2

APPROXIMATE DIMENSIONS - C20050



BASIC SWITCH SCHEMATIC DIAGRAM



Mounting and terminal hardware supplied unassembled.

STANDARD
0.00 = inches
[0,0] = mm

Dimensions for reference only.