

Series - 8895-8897, 8899

PUSHBUTTON SWITCHES Hand Controls with Pushbutton Switches

FEATURES	SPECIFICATIONS	CURRENT RATINGS							
<ul style="list-style-type: none"> High strength handles and caps Control stick mounted on hand-held grips Trigger-operated pushbutton switches in handle Positive action, double break trigger switch Auxiliary switch in cap on 8895K1 Catalog part numbers 8895 and 8896 mount to control stick Catalog part number 8897 features a hand strap for multi-task capability 	<ul style="list-style-type: none"> High impact Thermoset molding materials used in handles and caps Temperature Range: -67°F to +150°F (-55°C to +65°C) Life: 10,000 operations at rated load 10,000 operations mechanical life 	28VDC			115VAC 60 or 400Hz				
		Catalog Number	Type of Operation	Resistive Load	Inductive Load	Lamp Load	Resistive Load	Inductive Load	Lamp Load
		8895K1	Trigger PB sw	40	35	5	30	20	3
			Auxiliary PB sw	20	15	1.5	11	11	1
		8896K1	Trigger PB sw	40	35	5	30	20	3
8897K1	Trigger PB sw	40	35	5	30	20	3		
8899K ^①	Pushbutton sw	10	5	3	—	—	—		

① Contact Customer Service for product information

SELECTION TABLE



8896K1



8895K1



8897K1



8899

Type	Poles and Throw	Circuit Arrangement		Features	Government Drawing Number	Catalog Number
		Normal	Depressed			
Pistol Grip	1 P.S.T.	OFF	ON*	- With Auxiliary Switch With Hand Strap	NAF1173-1 NAF1173-2 NAF1174-1	8896K1 8895K1 8897K1

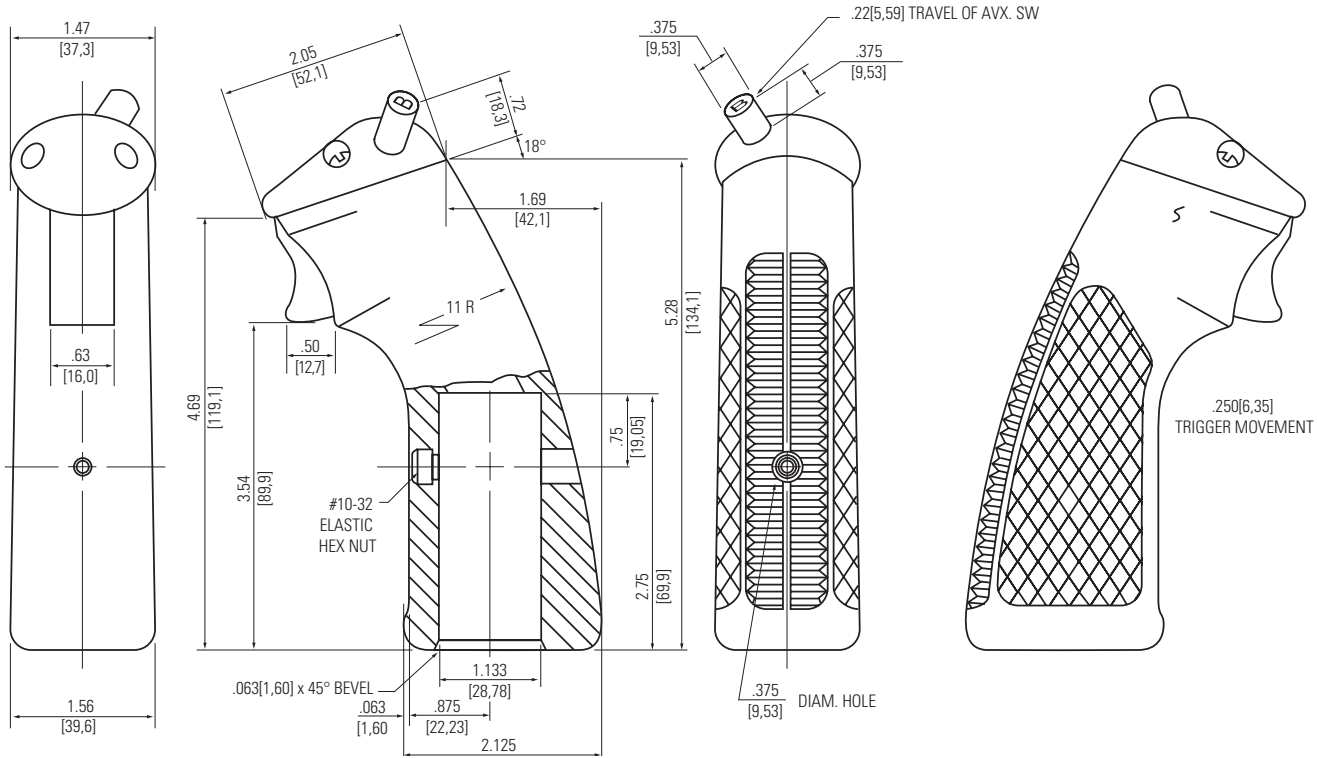
*Momentary Contact

PUSHBUTTON SWITCHES

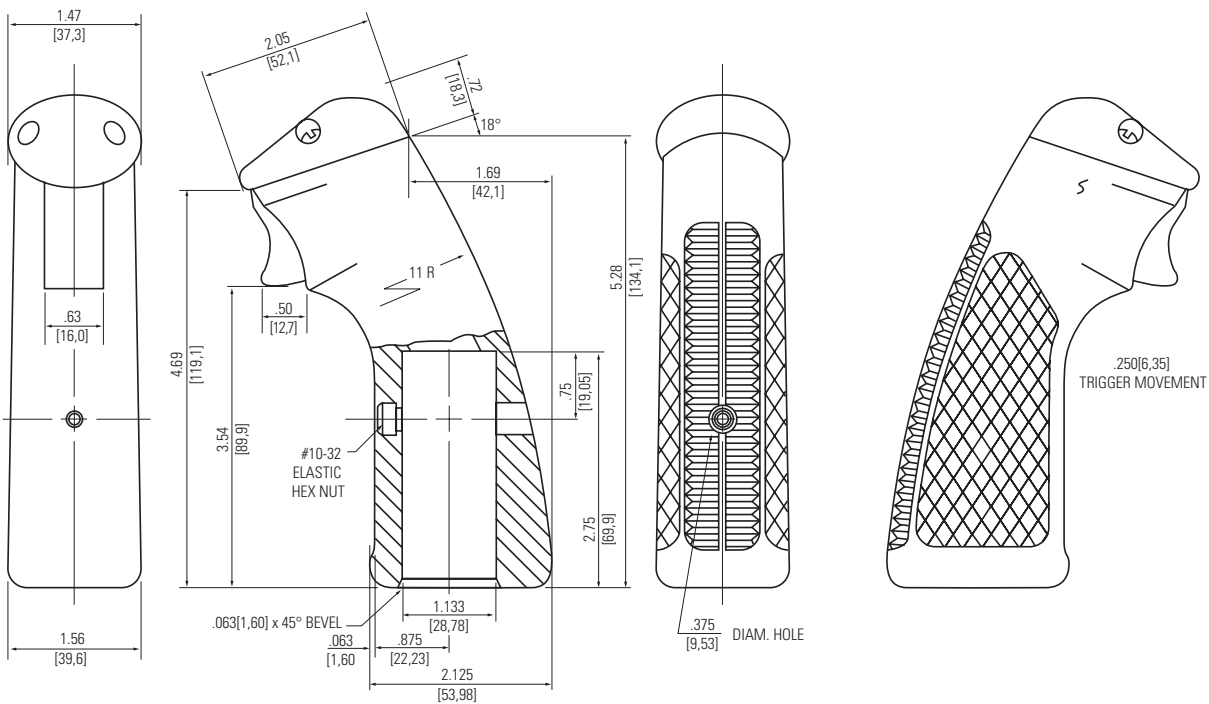
Series - 8895-8897, 8899

Hand Controls with Pushbutton Switches

APPROXIMATE DIMENSIONS - 8895K1



APPROXIMATE DIMENSIONS - 8896K1



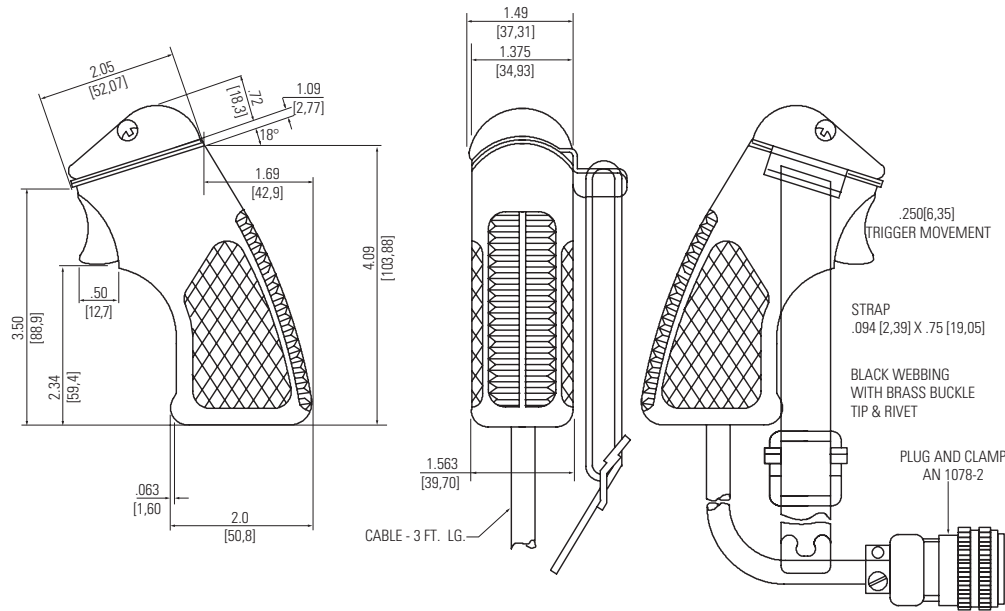
STANDARD
0.00 = inches
[0,0] = mm

Dimensions for reference only.

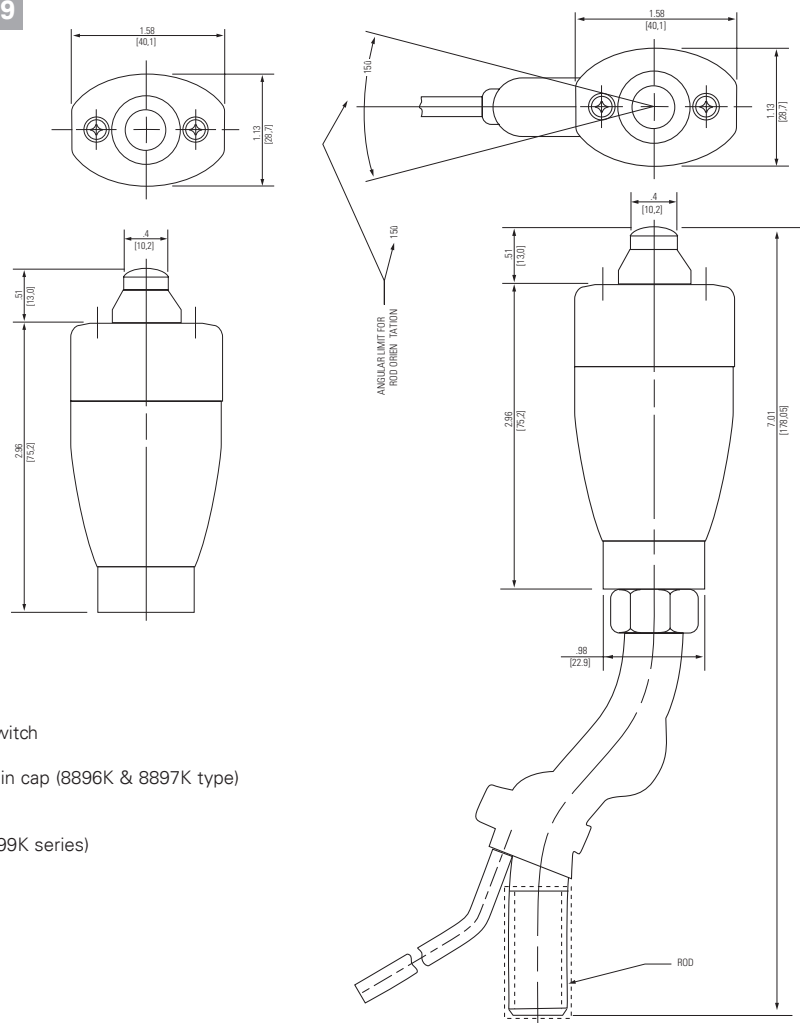
Series - 8895-8897, 8899

PUSHBUTTON SWITCHES Hand Controls with Pushbutton Switches

APPROXIMATE DIMENSIONS - 8897



APPROXIMATE DIMENSIONS - 8899



OPTIONS/ACCESSORIES

- Replace trigger switch with sealed pushbutton switch
- Harness assemblies available
- Auxiliary toggle or pushbutton switches installed in cap (8896K & 8897K type)
- Multi-function switch variations
- Replacement components
- Joystick or hand-held configurations available (8899K series)

STANDARD

0.00 = inches

[0,0] = mm

Dimensions for reference only.