

PUSHBUTTON SWITCHES

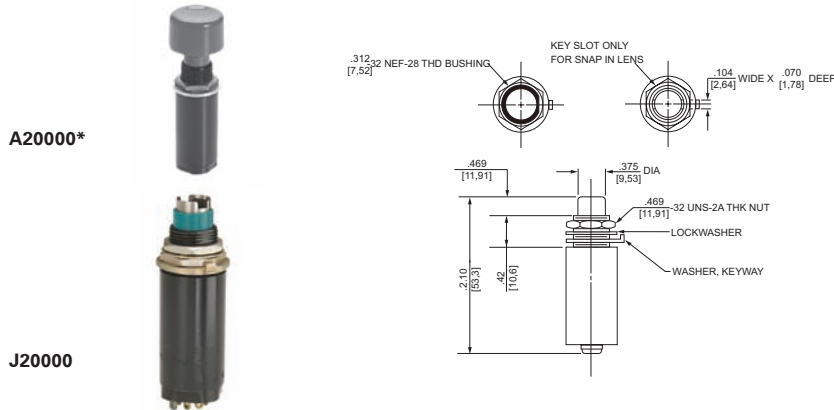
Series - A20000 Momentary Snap Action
J20000 Push-Push (Alternate) Action

Illuminated Switches

FEATURES	SPECIFICATIONS	CURRENT RATINGS								
		28VDC			115VAC 60/400 Hz					
		Part Number	Number of Poles	Type of Operation	Resistive	Inductive	Lamp	Resistive	Inductive	Lamp
<ul style="list-style-type: none"> Moisture resistant Flame retardant back material Low operating force Independent lamp circuit Rugged case A20000 Series Momentary Snap Action J20000 Series Alternate Action 	<ul style="list-style-type: none"> Drip-proof enclosure design level 2 Per MIL-PRF-22885/18 Temperature Range: -67°F to +185°F (-55°C to +85°C) Operating Force: 2 ± 1 lb (8.88N) Plunger travel: 0.160 in. (4.06mm) approx. Uses either M22885/19 screw type or snap-in type lenses per MIL-PRF-22885/99. Uses T-1-3/4 Midget Flange Base, Incandescent Lamp 	J20000	2	Alternate	2	1.5	0.5	2	1.5	0.5
		A20000	2	Momentary	2	1.5	0.5	2	1.5	0.5

SELECTION TABLE

APPROXIMATE DIMENSIONS

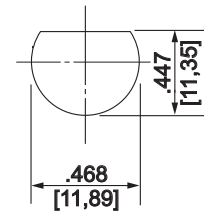
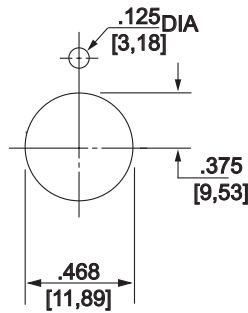
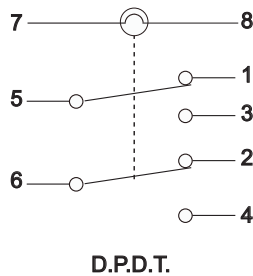
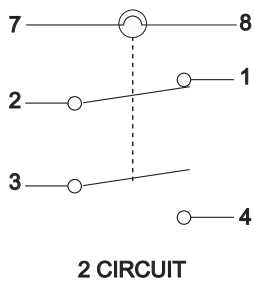


Catalog Number	Circuit	Lens Type	Detail Spec. Sheet
Alternate Action			
J20145	2 P.D.T.	Screw-in	M22885/18-02
J20149	2 Circuit	Screw-in	-04
J20152	2 P.D.T.	Snap-in	M22885/18-06
J20153	2 Circuit	Snap-in	-08
Momentary Action			
A20267	2 P.D.T.	Screw-in	M22885/18-01
A20271	2 Circuit	Screw-in	-03
A20272	2 P.D.T.	Snap-in	M22885/18-05
A20273	2 Circuit	Snap-in	-07

*NOTE: Catalog number does not include lens shown above.

SCHEMATIC DIAGRAMS - A20000 AND J20000

RECOMMENDED PANEL MOUNTING HOLE DIMENSIONS



STANDARD
0.00 = inches
[0,0] = mm

Dimensions for reference only.