

Series - 8551, 8552, 8553

ECONOSWITCH SEALED ROCKER SWITCHES Econoswitch Sealed Rocker Switches With Removable Rocker Button (RB Series)

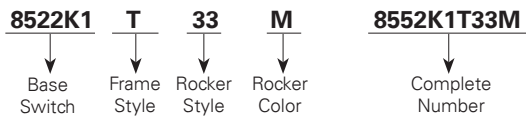
FEATURES	SPECIFICATIONS	CURRENT RATINGS
----------	----------------	-----------------

- | | | |
|--|---|--|
| <ul style="list-style-type: none"> Environmentally sealed 1, 2 and 4 pole circuitry 2 & 3 position with maintained and momentary action Rocker button is removable for decal or icon interchangeability Multi-circuits Three types of termination offered as standard Rocker button variations <ul style="list-style-type: none"> Smooth and serrated in opaque colors Transparent Translucent Panel mounting variations <ul style="list-style-type: none"> Flush panel Sub panel | <ul style="list-style-type: none"> Watertight per MIL-STD-108E and designed to meet IP68 UL recognized and CSA certified Base compression seal Temperature Range: -50°F to +150°F (-46°C to +66 °) Life: 50,000 operations at rated load
100,00 operations mechanical life Three standard types of terminals <ul style="list-style-type: none"> Screw 6-32" UNC-2A Solder lug .125 [3,17] dia. hole Spade .250 [6,35]x.032 [0,81] thick | |
|--|---|--|

WHEN ORDERING SPECIFY

* Catalog number of base switch followed by suffix letters and numbers for mounting bracket, rocker color and style as listed in selection table.

Order Example:



Sub-Panel Style



Flush Panel Style

SELECTION TABLE

CIRCUIT WITH LEVER IN . . .			BASE CATALOG NUMBER ^②			SUFFIX NUMBERS & LETTERS - ADD TO BASE CATALOG NUMBER					
Up Position	Center Position	Down Position (ID lug) ^①				MOUNTING BRACKET		ROCKER STYLE ^③		ROCKER COLOR	
			Screw Terminals	Solder Terminals	Spade Terminals	Frame Style	Code Letter	Style	Code No.	Color	Code Letter
One Pole											
ON	OFF	ON	8551K1	8551K91	8551K31						
ON	NONE	OFF	K9	K99	K39					White	M
ON	NONE	ON	K4	K94	K34						
ON	OFF	NONE	K6	K96	K36						
ON	NONE	ON*	K5	K95	K35						
* ON	OFF	ON*	K2	K92	K32						
NONE	OFF	ON*	K7	K97	K37						
ON	NONE	OFF*	K10	K910	K310	Flush Panel	T	Serrated	32	Red	T
OFF	NONE	ON*	K11	K911	K311						
ON	OFF	ON*	K3	K93	K33						
* ON	ON	NONE	K12	K912	K312						
ON	ON	NONE	K13	K913	K313					Black	V
Two Pole											
ON	OFF	ON	8552K1	8552K91	8552K31						
ON	NONE	OFF	K9	K99	K39						
ON	NONE	ON	K4	K94	K34						
ON	OFF	NONE	K6	K96	K36						
ON	NONE	ON*	K5	K95	K35						
* ON	OFF	ON*	K2	K92	K32	Sub-Panel	W	Smooth	33	Translucent	L
NONE	OFF	ON*	K7	K97	K37						
ON	NONE	OFF*	K10	K910	K310						
OFF	NONE	ON*	K11	K911	K311						
ON	OFF	ON*	K3	K93	K33					Transparent	P
* ON	ON	NONE	K12	K912	K312						
ON	ON	NONE	K13	K913	K313						
ON	ON	ON	K14	K914	K314						
ON	ON	ON*	K15	K915	K315						
* ON	ON	ON*	K16	K916	K316						

* Momentary Contact.

① Identification lug side.

② Incomplete catalog number: add suffix letters and numbers for Mounting Brackets, Rocker Style & Color




③ Other Rocker Styles available

ECONOSWITCH SEALED ROCKER SWITCHES

Series - 8551, 8552, 8553

Econoswitch Sealed Rocker Switches With Removable Rocker Button (RB Series)

SELECTION TABLE, CON'T.

CIRCUIT WITH LEVER IN . . .			BASE CATALOG NUMBER ^②			SUFFIX NUMBERS & LETTERS - ADD TO BASE CATALOG NUMBER					
Up Position	Center Position	Down Position (ID lug) ^①	Screw Terminals	Solder Terminals	Spade Terminals	MOUNTING BRACKET		ROCKER STYLE ^③		ROCKER COLOR	
						Frame Style	Code Letter	Style	Code No.	Color	Code Letter
Four Pole											
ON	OFF	ON	8553K1	8553K91	8553K31					White	M
ON	NONE	OFF	K9	K99	K39	Flush Panel	T	Serrated	32	Red	T
ON	NONE	ON	K4	K94	K34						
ON	OFF	NONE	K6	K96	K36						
ON	NONE	ON*	K5	K95	K35						
* ON	OFF	ON*	K2	K92	K32						
NONE	OFF	ON*	K7	K97	K37	Sub-Panel	W	Smooth	33	Black	V
ON	NONE	OFF*	K10	K910	K310						
OFF	NONE	ON*	K11	K911	K311						
ON	OFF	ON*	K3	K93	K33						
* ON	ON	NONE	K12	K912	K312						
ON	ON	NONE	K13	K913	K313					Translucent	L
ON	ON	ON	K15	K915	K315					Transparent	P
ON	ON	ON*	K16	K916	K316						
* ON	ON	ON*	K17	K917	K317						

*** Momentary circuit.**

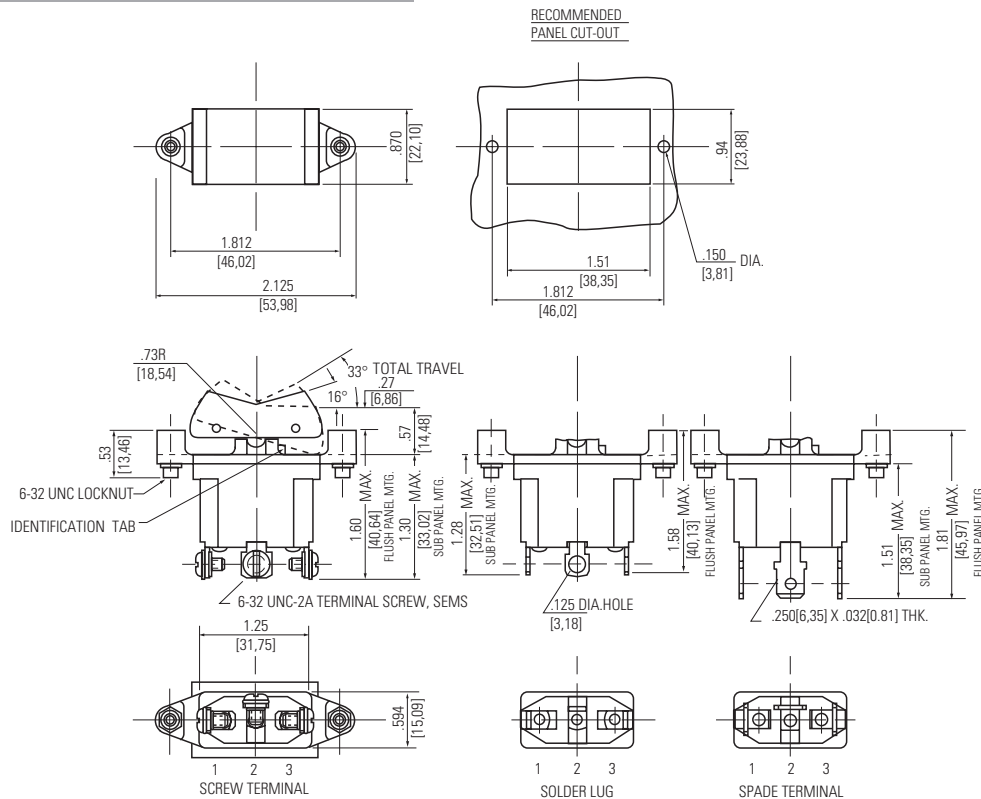
See pages C26-C27 and C29-C31 for circuit diagrams.

① Identification lug side.

② Incomplete catalog number: add suffix letters and numbers for Mounting Brackets, Rocker Style & Color

③ Other Rocker Styles available

MOUNTING DIMENSIONS - ONE POLE / 8551



STANDARD
0.00 = inches
[0,0] = mm

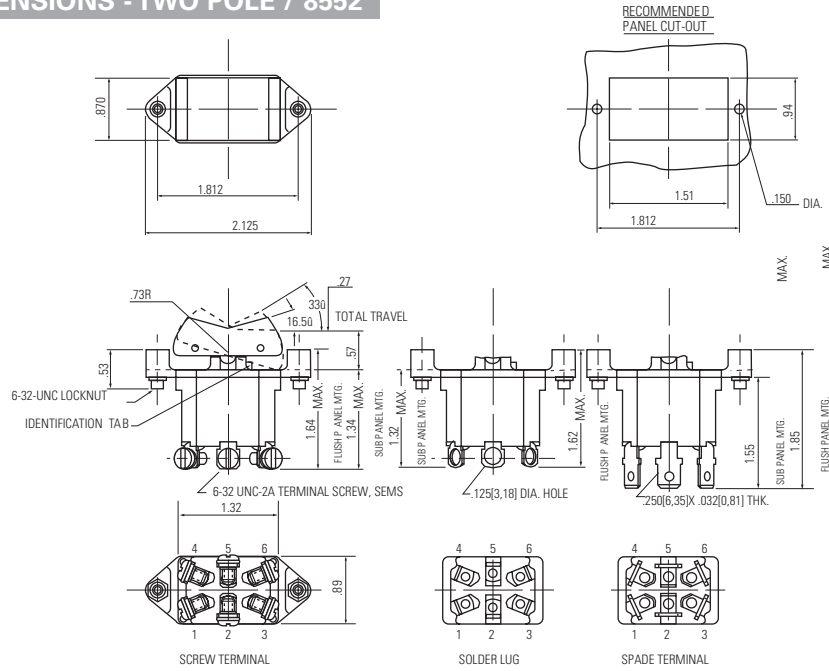
Dimensions for reference only.

ECONOSWITCH SEALED ROCKER SWITCHES

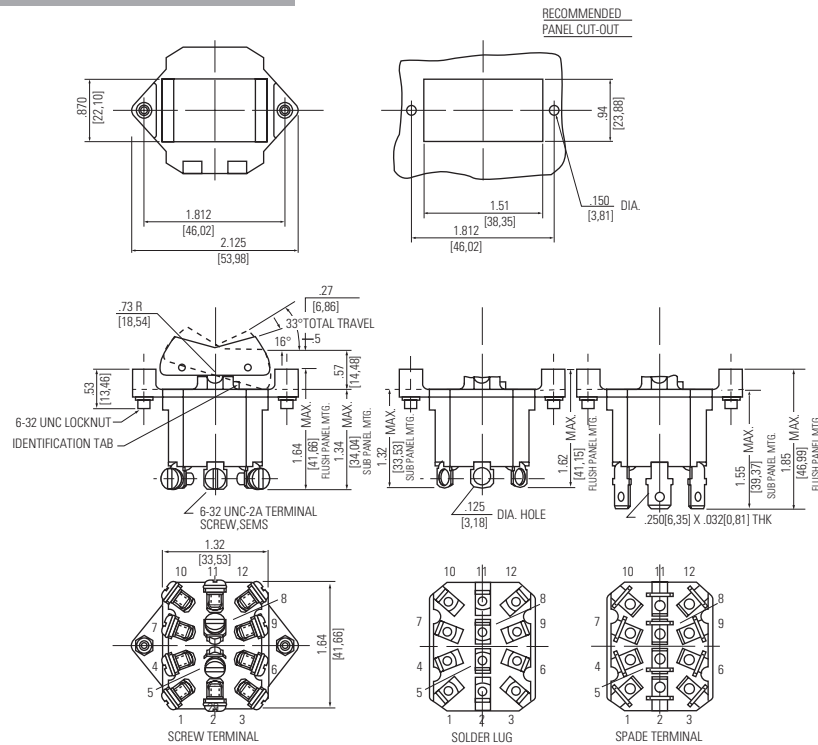
Econoswitch Sealed Rocker Switches With Removable Rocker Button (RB Series)

Series - 8551, 8552, 8553

MOUNTING DIMENSIONS - TWO POLE / 8552



MOUNTING DIMENSIONS - FOUR POLE / 8553



STANDARD
0.00 = inches
[0,0] = mm

Dimensions for reference only.

ECONOSWITCH SEALED ROCKER SWITCHES

Series - 8551, 8552, 8553

Econoswitch Sealed Rocker Switches With Removable Rocker Button (RB Series)

OPTIONS/ACCESSORIES

- Special color rockers
- Hot stamped lettering on rockers - smooth rockers only
- Special marking on switches
- Optional Actuator
- Gold plated contacts

REPLACEMENT SMOOTH BUTTON SELECTION TABLE

Color	Part Number
White	53-2161-2
Red	53-2161-3
Black	53-2161-4
Translucent	53-2415
Transparent	53-2161-6