

# ECONOSWITCH SEALED ROCKER SWITCHES

## Econoswitch Sealed Rocker Switches

Series - 8554, 8555, 8556

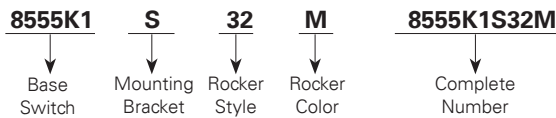
FEATURES		SPECIFICATIONS		CURRENT RATINGS						
<ul style="list-style-type: none"> <li>Environmentally sealed</li> <li>1, 2 and 4 pole circuitry</li> <li>2 &amp; 3 position with maintained and momentary action</li> <li>Pinned rocker button</li> <li>Rocker button style and color variations</li> <li>Multi-circuits</li> <li>Thermoplastic rocker buttons in opaque colors (serrated and smooth face)</li> <li>Panel mounting variations                             <ul style="list-style-type: none"> <li>Flush panel</li> <li>Sub-panel</li> <li>Snap-in</li> </ul> </li> </ul>	<ul style="list-style-type: none"> <li>Watertight per MIL-STD-108E and designed to meet IP68</li> <li>UL recognized and CSA certified</li> <li>Temperature range: -50°F to +150°F (-46°C to +66°C)</li> <li>Life: 50,000 operations at rated load 100,000 operations mechanical life</li> <li>Three standard types of terminals                             <ul style="list-style-type: none"> <li>Screw 6-32 UNC-2A</li> <li>Solder lug .125 [3,17] dia. hole</li> <li>Spade .250 [6,35] x .032 [0.82] thick</li> </ul> </li> </ul>	<b>No. of Poles</b>	<b>Catalog Number</b>	<b>Type of Operation</b>	<b>28VDC</b>			<b>115VAC 60 or 400Hz</b>		
					Resistive Load	Inductive Load	Lamp Load	Resistive Load	Inductive Load	Lamp Load
		1	8554	Maintained	20	15	5	15	10	3
				Momentary	15	10	4	11	7	2
		2	8555	Maintained	20	15	7	15	15	4
				Momentary	18	10	5	11	8	2
		4	8556	Maintained	20	12	5	15	15	4
				Momentary	18	10	4	11	8	2

Note: See page C28 for UL and CSA current ratings.

### WHEN ORDERING SPECIFY . . .

• Catalog number of base switch followed by suffix letters and numbers for mounting bracket, rocker color and style as listed in selection table.

Order Example:



One Pole Snap-in Bezel Mounting



Two Pole Flush Panel Mounting



Four Pole Sub-Panel Mounting

### SELECTION TABLE

CIRCUIT WITH LEVER IN . . .			BASE CATALOG NUMBER <sup>Ⓞ</sup>			SUFFIX NUMBERS & LETTERS - ADD TO BASE CATALOG NUMBER						
Up Position	Center Position	Down Position (Keyway)	Screw Terminals	Solder Terminals	Spade Terminals	MOUNTING BRACKET			ROCKER STYLE		ROCKER COLOR	
						Frame Style	Mounting Holes	Code Letter	Style	Code No.	Color	Code Letter
<b>One Pole</b>												
ON	OFF	ON	8554K1	8554K91	8554K31	Sub-Panel Mounting-Clearance Holes	0.152	R				
ON	NONE	OFF	K9	K99	K39							
ON	NONE	ON	K4	K94	K34							
ON	OFF	NONE	K6	K96	K36							
ON	NONE	ON*	K5	K95	K35							
* ON	OFF	ON*	K2	K92	K32							
NONE	OFF	ON*	K7	K97	K37							
ON	NONE	OFF*	K10	K910	K310							
OFF	NONE	ON*	K11	K911	K311							
ON	OFF	ON*	K3	K93	K33							
* ON	ON	NONE	K12	K912	K312	Sub-Panel Mounting-Tapped Holes	6-32 UNC-2B	W	Serrated	32	White	M
ON	ON	NONE	K13	K913	K313							

\* Momentary Contact.






"Safran Electrical & Power Proprietary Information. Information contained in this document is Safran Electrical & Power Proprietary Information and is disclosed in confidence. It is the property of Safran Electrical & Power and shall not be used, disclosed to others, or reproduced without the express written agreement of Safran Electrical & Power. If consent is given for reproduction in whole or in part, this notice set forth on each page of this document shall appear in any such reproduction in whole or in part. Unauthorized export or re-export is prohibited."

# ECONOSWITCH SEALED ROCKER SWITCHES

Series - 8554, 8555, 8556

Econoswitch Sealed Rocker Switches

## SELECTION TABLE

CIRCUIT WITH LEVER IN . . .			BASE CATALOG NUMBER <sup>Ⓞ</sup>			SUFFIX NUMBERS & LETTERS - ADD TO BASE CATALOG NUMBER						
Up Position	Center Position	Down Position (Keyway)	Screw Terminals	Solder Terminals	Spade Terminals	MOUNTING BRACKET			ROCKER STYLE		ROCKER COLOR	
						Style	Mounting Holes	Code Letter	Style	Code No.	Color	Code Letter
<b>Four Pole</b>												
ON	OFF	ON	8556K1	8556K91	8556K31	Sub-Panel						
ON	NONE	OFF	K9	K99	K39	Mounting-	0.152	R				
ON	NONE	ON	K4	K94	K34	Clearance						
ON	OFF	NONE	K6	K96	K36	Holes						
ON	NONE	ON*	K5	K95	K35						White	M
* ON	OFF	ON*	K2	K92	K32	Sub-Panel						
NONE	OFF	ON*	K7	K97	K37	Mounting-	6-32	W	Serrated	32		
ON	NONE	OFF*	K10	K910	K310	Tapped Holes	UNC-2B					
OFF	NONE	ON*	K11	K911	K311							
ON	OFF	ON*	K3	K93	K33	Flush Panel						
* ON	ON	NONE	K12	K912	K312	Mounting-					Black	V
ON	ON	NONE	K13	K913	K313	Clearance	0.152					
ON	ON	ON	K15	K915	K315	Holes		S				
ON	ON	ON*	K16	K916	K316							
* ON	ON	ON*	K17	K917	K317	Flush Panel			Smooth	33		
						Mounting-	6-32					
						Tapped Holes	UNC-2B	T			Red	T
						Snap-in Bezel						
						Mounting	—	X				

\* Momentary contact.

See pages C26-C27 and C29-C31 for circuit diagrams.

Ⓞ Incomplete Catalog Number - add suffix letters and numbers for Mounting Bracket, Rocker Style and Rocker Color - see "When Ordering Specify."

### STANDARD

0.00 = inches

[0,0] = mm

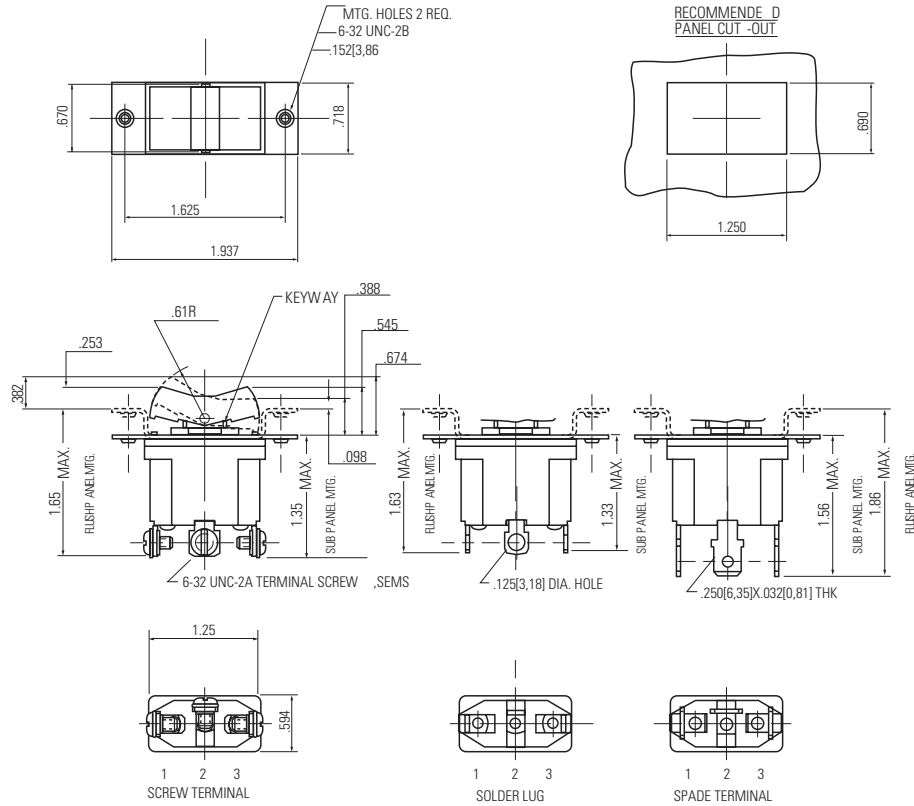
Dimensions for reference only.

# ECONOSWITCH SEALED ROCKER SWITCHES

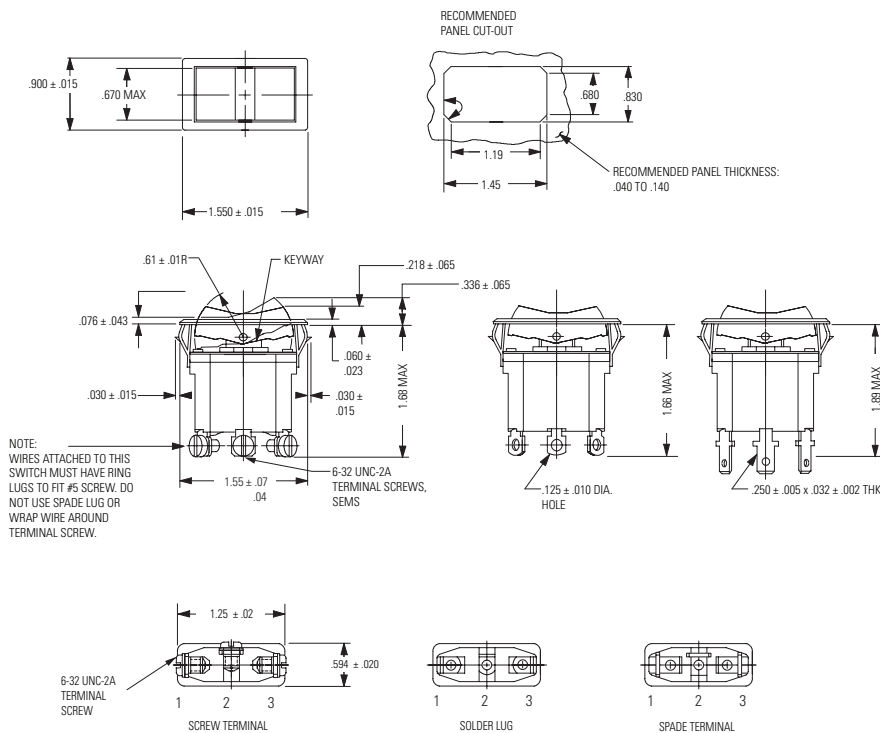
## Econoswitch Sealed Rocker Switches

Series - 8554, 8555, 8556

### MOUNTING DIMENSIONS - ONE POLE / 8554



### MOUNTING DIMENSIONS - SNAP-IN BEZEL ONE POLE / 8554

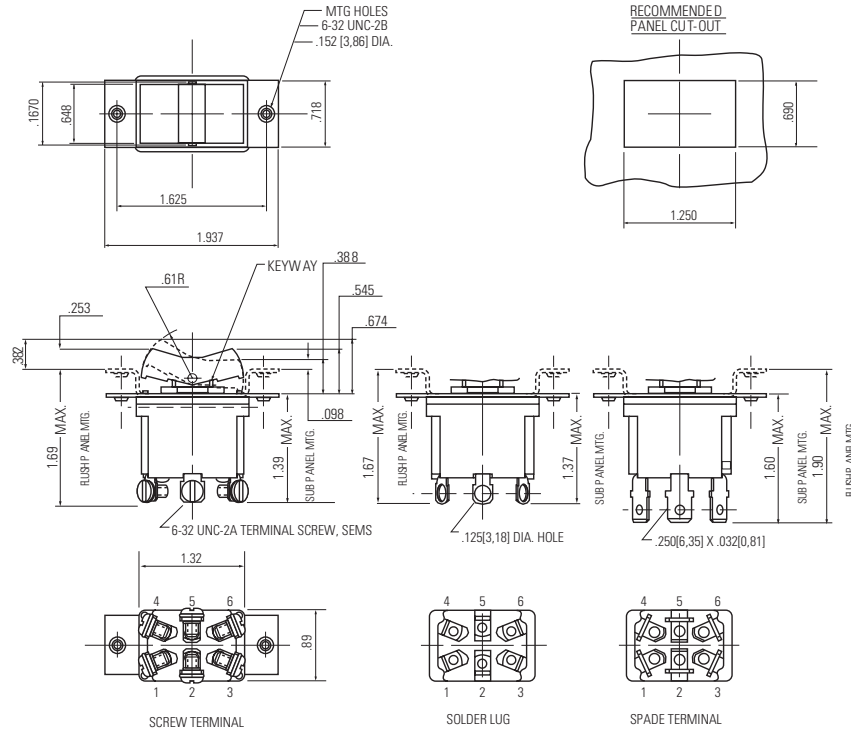


# ECONOSWITCH SEALED ROCKER SWITCHES

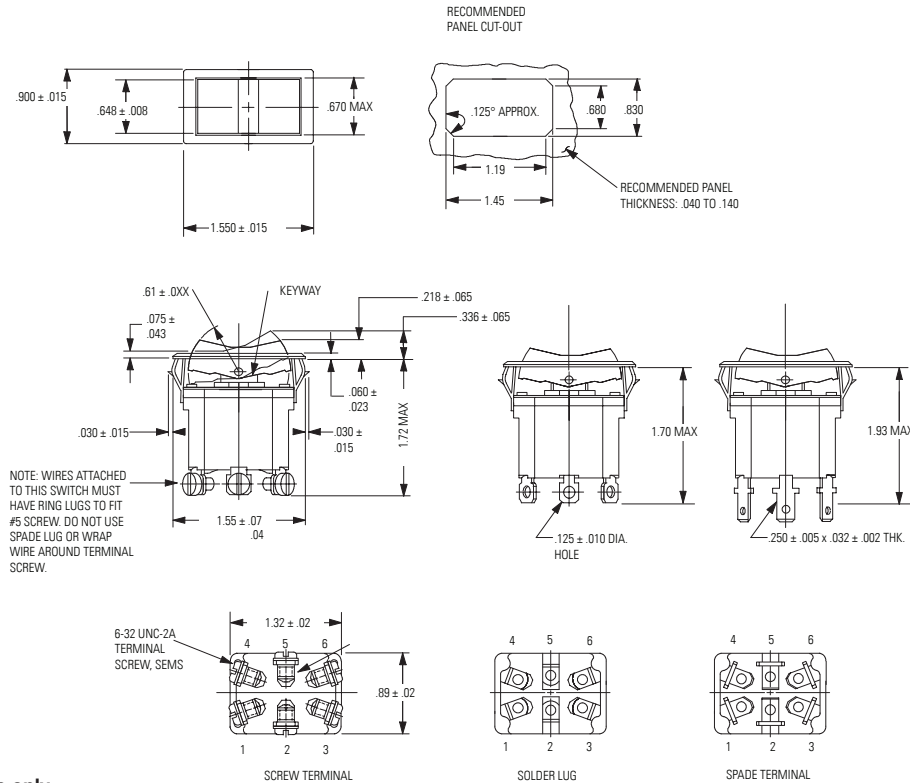
## Series - 8554, 8555, 8556

# Econoswitch Sealed Rocker Switches

### MOUNTING DIMENSIONS - TWO POLE / 8555



### MOUNTING DIMENSIONS - SNAP-IN BEZEL TWO POLE / 8555



**STANDARD**  
0.00 = inches  
[0,0] = mm

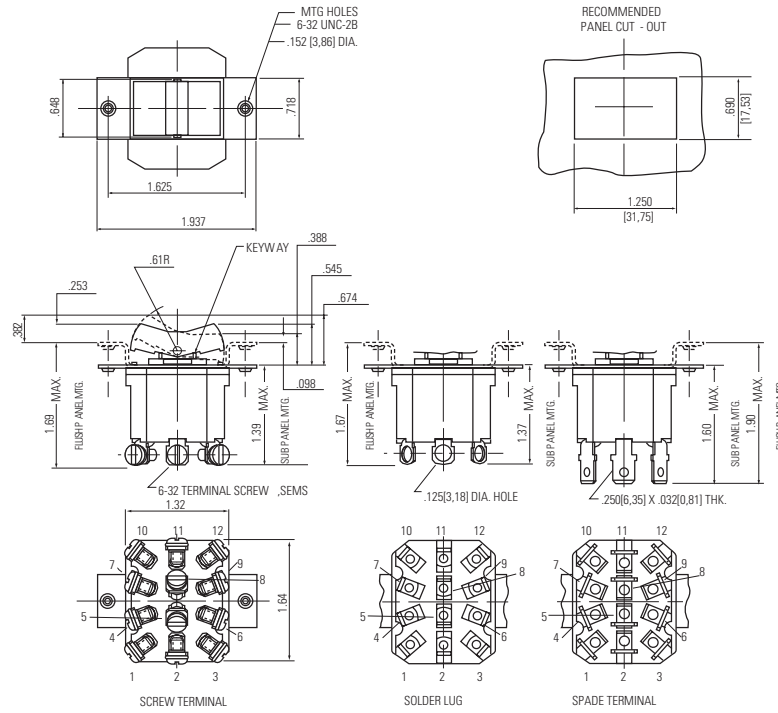
Dimensions for reference only.

# ECONOSWITCH SEALED ROCKER SWITCHES

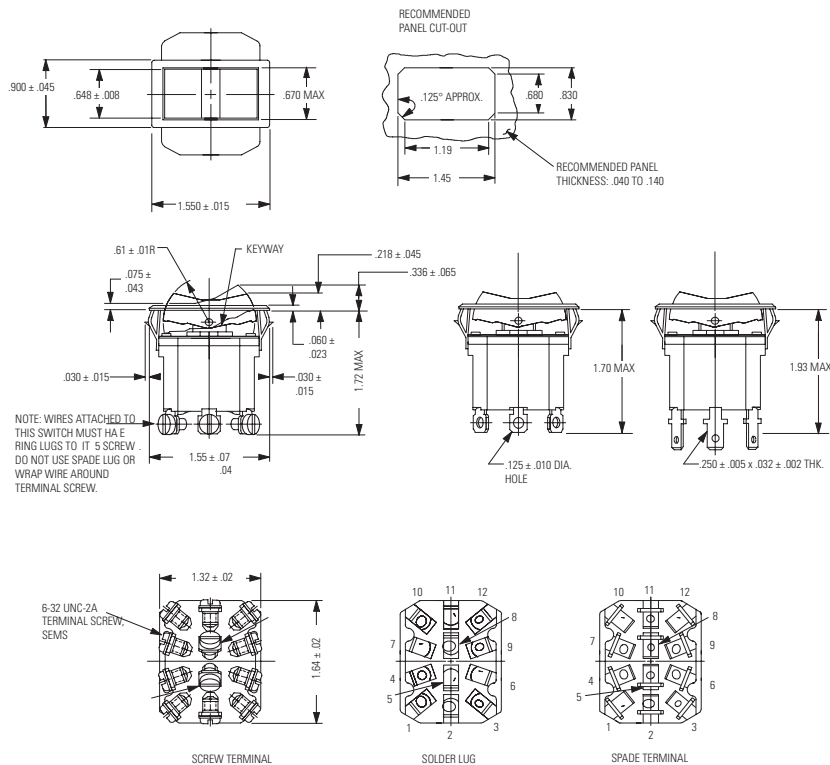
## Econoswitch Sealed Rocker Switches

Series - 8554, 8555, 8556

### MOUNTING DIMENSIONS - FOUR POLE / 8556



### MOUNTING DIMENSIONS - SNAP-IN BEZEL FOUR POLE / 8556



**STANDARD**  
0.00 = inches  
[0,0] = mm

Dimensions for reference only.

# ECONOSWITCH SEALED ROCKER SWITCHES

## Series - 8554, 8555, 8556

## Econoswitch Sealed Rocker Switches

### OPTIONS/ACCESSORIES

- Special color rockers
- Hot stamped lettering on rockers - smooth rockers only
- Special plated bezels
- Special marking on switches
- Optional Actuator
- Gold plated contacts