

ENVIRONMENTALLY SEALED ROCKER SWITCHES

Environmentally Sealed Rocker Switches

Series - 8540, 8541, 8542

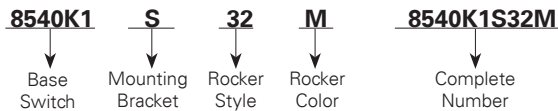
FEATURES		SPECIFICATIONS		CURRENT RATINGS						
<ul style="list-style-type: none"> Environmentally sealed 1, 2 and 4 pole circuitry 2 & 3 position with maintained and momentary action Pinned rocker button Multi-circuits Molded-in terminal inserts and terminal numbers Panel mounting variations <ul style="list-style-type: none"> Flush panel Sub-panel Snap-in Thermoplastic rocker buttons in opaque colors (serrated and smooth face) 	<ul style="list-style-type: none"> Watertight per MIL-STD-108E and designed to meet IP68 UL recognized and CSA certified Temperature range: -50°F to +150°F (-46°C to +66°C) Life: 20,000 operations at rated load 40,000 operations mechanical life 	No. of Poles	Catalog Number	Type of Operation	28VDC			115VAC 60 or 400Hz		
					Resistive Load	Inductive Load	Lamp Load	Resistive Load	Inductive Load	Lamp Load
		1	8540	Maintained	20	15	5	15	10	3
				Momentary	15	10	4	15	7	2
2	8541	Maintained	20	15	7	15	15	4		
		Momentary	18	10	5	11	8	2		
4	8542	Maintained	20	12	5	15	15	4		
		Momentary	18	10	4	11	8	2		

Note: See page C28 for UL and CSA current ratings.

WHEN ORDERING SPECIFY . . .

- Catalog number of base switch followed by suffix letters and numbers for mounting bracket, rocker color and style as listed in selection table.

Order Example:



SELECTION TABLE

CIRCUIT WITH LEVER IN . . .			BASE CATALOG NUMBER [Ⓞ]			SUFFIX NUMBERS & LETTERS - ADD TO BASE CATALOG NUMBER						
Up Position 	Center Position 	Down Position (Keyway) 				MOUNTING BRACKET			ROCKER STYLE		ROCKER COLOR	
			Single Pole	Two Pole	Four Pole	Style	Mounting Holes	Code Letter	Style	Code No.	Color	Code Letter
ON	OFF	ON	8540K1	8541K1	8542K1	Sub-panel Mounting-Clear Holes	0.152 [3,86]	R			White	M
ON	NONE	OFF	K9	K9	K9							
ON	NONE	ON	K4	K4	K4							
ON	OFF	NONE	K6	K6	K6							
ON	NONE	ON*	K5	K5	K5	Sub-panel Mounting-Tapped Holes	6-32 UNC-2B	W	Serrated	32		
* ON	OFF	ON*	K2	K2	K2							
NONE	OFF	ON*	K7	K7	K7	Flush panel Mounting-Clear Holes	0.152 [3,86]	S			Black	V
ON	NONE	OFF*	K10	K10	K10							
OFF	NONE	ON*	K11	K11	K11							
ON	OFF	ON*	K3	K3	K3	Flush panel Mounting-Tapped Holes	6-32 UNC-2B	T	Smooth	33	Red	T
* ON	ON	NONE	K12	K12	K12							
ON	ON	NONE	K13	K13	K13							
ON	ON	ON		K14	K15							
ON	ON	ON*		K15	K16	Snap-in Bezel Mounting-	—	X				
* ON	ON	ON*		K16	K17							
ON	ON	ON	—	8541K17	—							
ON	ON	ON*	—	K18	—							
* ON	ON	ON*	—	K19	—							

* Momentary contact.

See pages C26-C27 and C29-C31 for circuit diagrams.

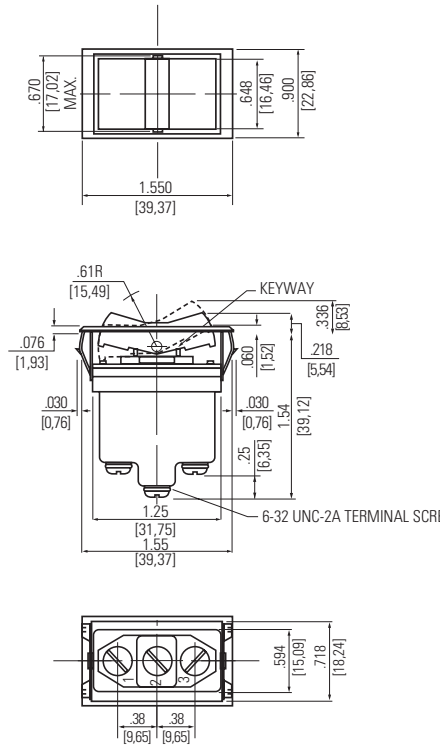
Ⓞ Incomplete Catalog Number - add suffix letters and numbers for Mounting Bracket, Rocker Style and Rocker Color - see "When Ordering Specify."

ENVIRONMENTALLY SEALED ROCKER SWITCHES

Series - 8540, 8541, 8542

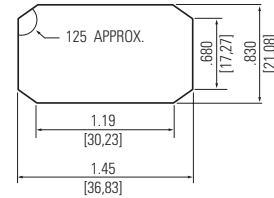
Environmentally Sealed Rocker Switches

DIMENSIONS - ONE POLE / 8540

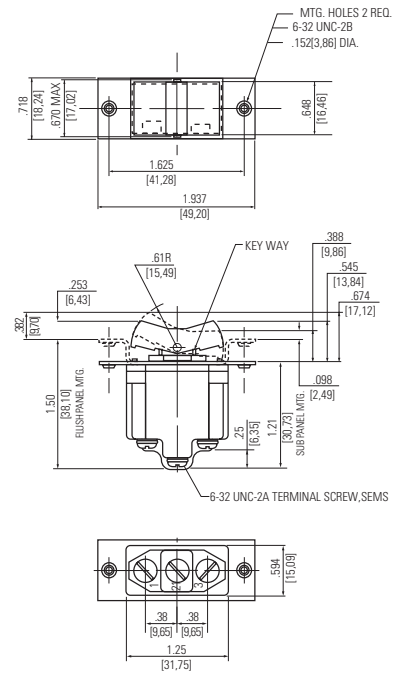
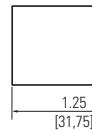


RECOMMENDED PANEL CUT-OUT

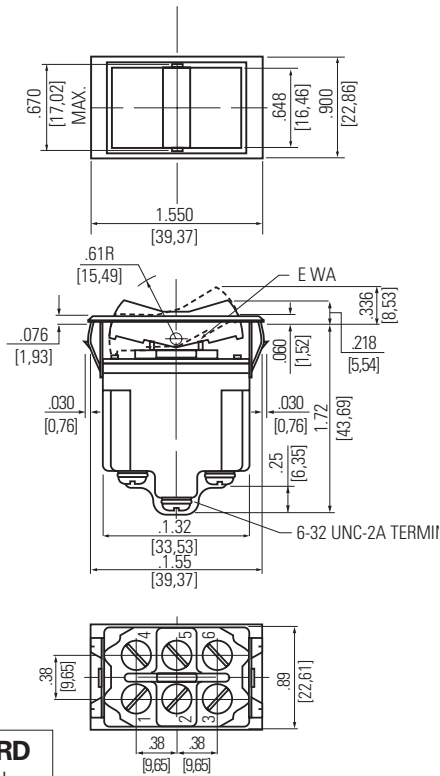
SNAP-IN BEZEL MOUNTING
.040 [1,02] to .140 [3,56] PANEL THICKNESS



FLUSH AND SUB-PANEL ONLY

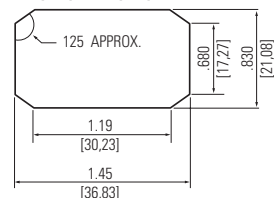


DIMENSIONS - TWO POLE / 8541

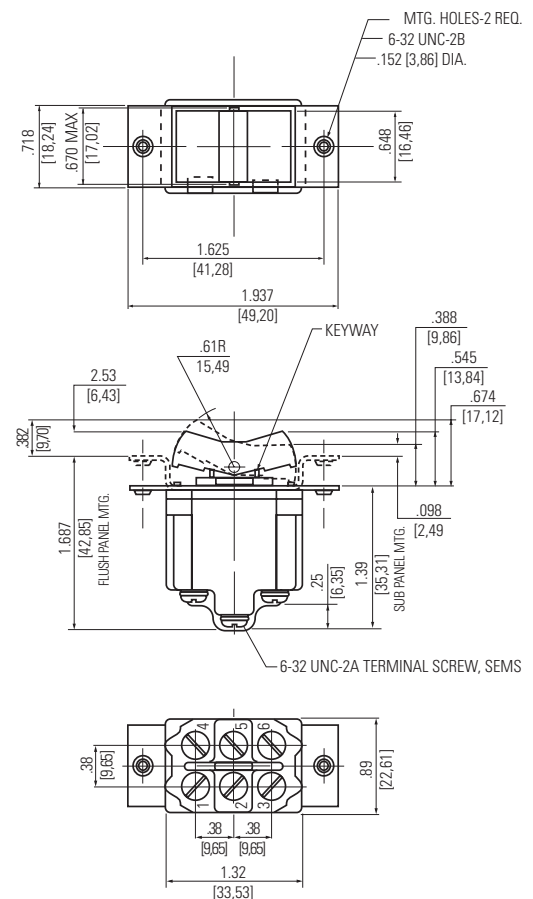
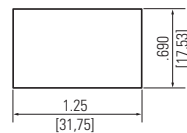


RECOMMENDED PANEL CUT-OUT

SNAP-IN BEZEL MOUNTING
.040 [1,02] to .140 [3,56] PANEL THICKNESS



FLUSH AND SUB-PANEL ONLY



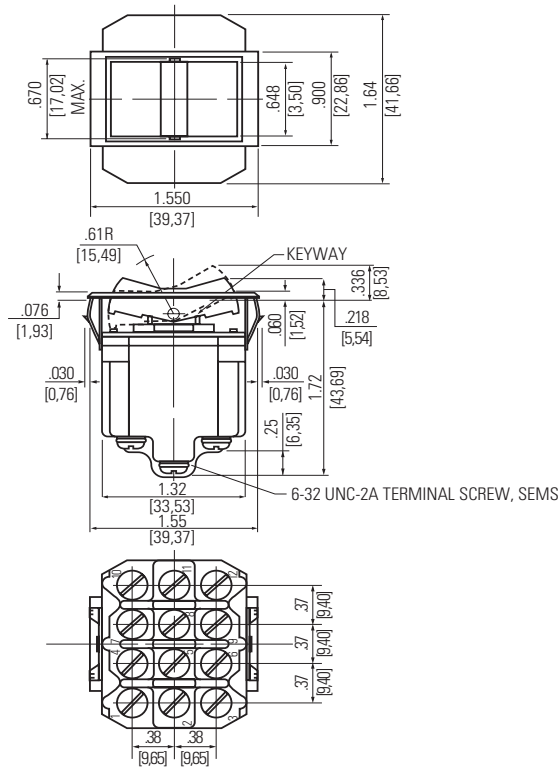
STANDARD
0.00 = inches
[0,0] = mm

Mounting dimensions for reference only.

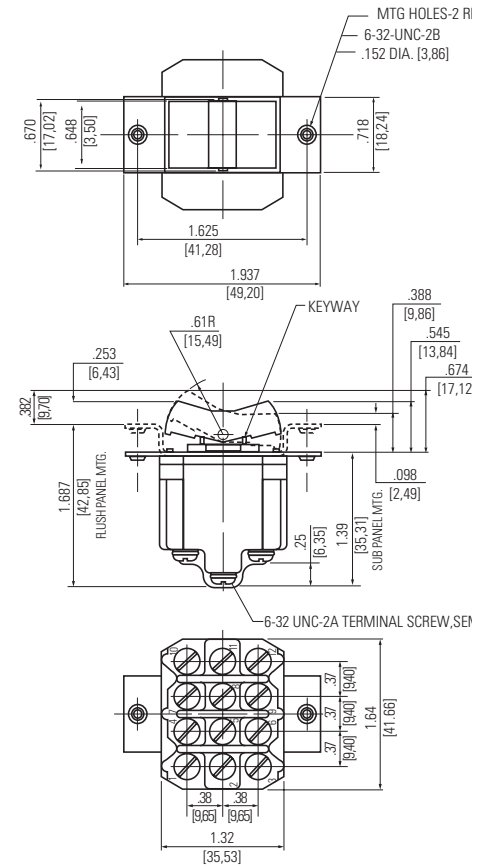
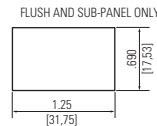
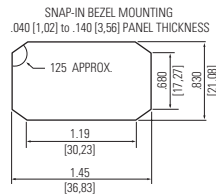
Series - 8540, 8541, 8542

ENVIRONMENTALLY SEALED ROCKER SWITCHES Environmentally Sealed Rocker Switches

DIMENSIONS - FOUR POLE / 8542



RECOMMENDED PANEL CUT-OUT



OPTIONS/ACCESSORIES

- Special color rockers
- Hot stamped lettering on rockers - smooth rockers only
- Spade terminals
- Special spade terminal adapters (0.250")
- Special plated bezels
- Special marking on switches
- Optional Actuator
- Additional sealed rocker styles available

STANDARD

0.00 = inches

[0,0] = mm

Mounting dimensions for reference only.