



**Heavy-Duty Three-Pole High Performance**

Three-phase protection of circuits from 50 to 100 amperes.

**Interphase Insulation**

Insulating interphase barriers separate adjacent terminals.

**Common Trip Bar**

One bar connects the three operating mechanisms for simultaneous trip action. Trip bar is removable for installation.

**Performance Rated Circuit Breaker**

The 940 series is the only three-pole heavy-duty aircraft-type circuit breaker available in the 50 to 100 ampere range and consists of three specially built 160-012 breakers with insulating interphase barriers separating adjacent terminals. The unit has a common trip bar connecting the three operating mechanisms so that an overload tripping one pole will simultaneously trip the remaining two poles.

**PERFORMANCE DATA**

|                              |  |
|------------------------------|--|
| <b>Interrupting Capacity</b> | 1,200A at 120V 400 Hz., AC   |
| <b>Endurance</b>             | At 120VAC, 400 Hz.: inductive load — 5,000 cycles; resistive load — 5,000 cycles; mechanical cycling, no load — 5,000 cycles |
| <b>Overload Cycling</b>      | 100 cycles minimum at 200% rated current and rated voltage   |
| <b>Dielectric Strength</b>   | 1,500V, minimum  |
| <b>Insulation Resistance</b> | Not less than 100 megohms at 500V, DC  |
| <b>Voltage Drop</b>          | Varies with rating (see "Ordering Information")  |
| <b>Vibration</b>             | Exceeds MIL-STD-202, Method 204, Condition A except, 7G peak   |
| <b>Shock</b>                 | Exceeds 30G's, 11 Millisec (half-sine pulse) MIL-STD-202, Method 213 Test J  |
| <b>Acceleration</b>          | Exceeds 10G's  |
| <b>Weight</b>                | 390 grams (.860 lbs.)  |

**OVERLOAD CALIBRATION DATA**

| Specification Table | @ 25°C |     | @ +71°C |     | @ -40°C |     | Test Time Parameters |
|---------------------|--------|-----|---------|-----|---------|-----|----------------------|
|                     | MIN    | MAX | MIN     | MAX | MIN     | MAX |                      |
| Must Hold           | 105    | —   | 70      | —   | 145     | —   | % For 1 Hour         |
| Must Trip           | —      | 138 | —       | 115 | —       | 170 | % Within 1 Hour      |
| 200% Overload       | 15     | 70  | —       | —   | —       | —   | Seconds              |
| 400% Overload       | 2      | 10  | —       | —   | —       | —   | Seconds              |
| 600% Overload       | 1      | 4   | —       | —   | —       | —   | Seconds              |

Tip curve available.

**ORDERING INFORMATION**

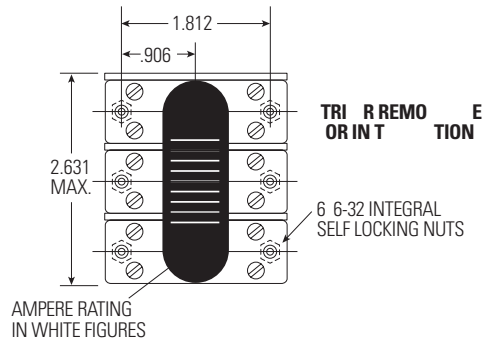
| Ampere Rating | Voltage Drop Max.* | Part Number |
|---------------|--------------------|-------------|
| 50            | 0.15               | 940-006-50  |
| 60            | 0.15               | 940-006-60  |
| 70            | 0.15               | 940-006-70  |
| 75            | 0.15               | 940-006-75  |
| 80            | 0.15               | 940-006-80  |
| 90            | 0.15               | 940-006-90  |
| 100           | 0.15               | 940-006-100 |

\* At rated nominal current.

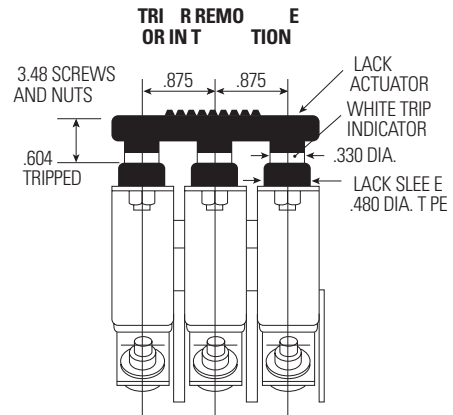
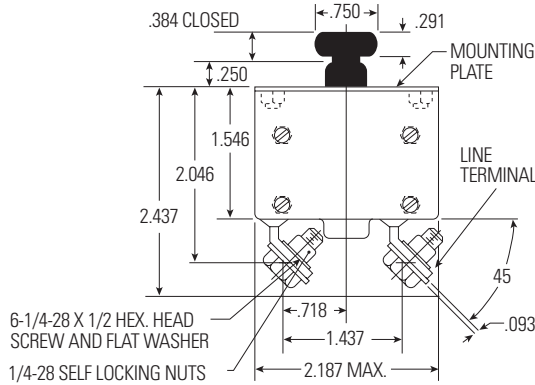
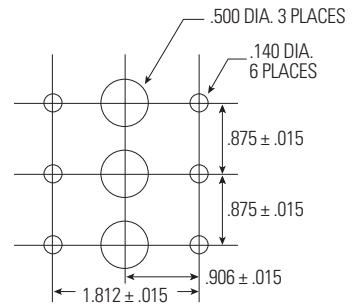
Data depicted is for the 940 Series. Also available to order are 920, 930, 960, and 970 Series devices.

For other amperage ratings and configurations, consult the Business Unit.

**DIMENSIONS**



**RECOMMENDED MOUNTING**



**TRIP CURVE**

